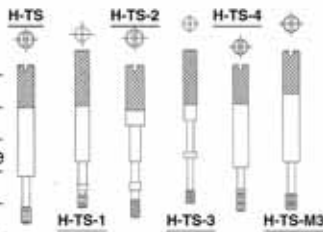


# D - SUB BACK COVERS

## THUMB SCREWS

- H-TS** 4/40 Thread, good for
- H-TS-1** D-Sub Hood
- H-TS-2** 4/40 Thread for molded hood
- H-TS-3** 4/40 Thread for DDN hood use
- H-TS-4** 4/40 Thread
- H-TS-M3** M3 Metric Thread



## FITTING TABLE FOR D-SUB HOODS

HOOD SIZE	FITS REGULAR D-SUB	FITS HIGH-DENSITY D-SUB
9	DB-9	HD-15
15	DB-15	HD-26
25	DB-25	HD-44
37	DB-37	HD-62
50	DB-50	HD-78

## PLASTIC WITH THUMB SCREWS

- Gray Plastic
- Includes Necessary Hardware for Assembly
- Metal Clamp Strain Relief
- Thumb Screw with Knurl



**DDP-(XX)CT**

XX= Pins: 9, 15, 25, 37, 50.

**DDP-25CT**

## PLASTIC HOODS (Metal SR)

- Metal Clamp Strain Relief
- Includes Necessary Hardware for Assembly



**Ivory** **DP-(XX)C-IV** XX= Pins: 9, 15, 25.

**DP-25C**

**Black** **DP-(XX)C-BK** XX= Pins: 9, 15, 25.

**Gray** **DP-(XX)C** XX= Pins: 9, 15, 23, 25, 37, 50.

**Gray** **DP-(XX)C-RH** XX= Pins: 9, 25.

**Gray** **DP-(XX)C-RL** XX= Pins: 15, 37.

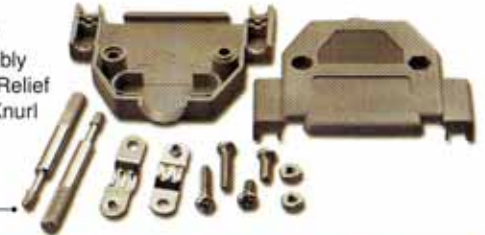


**RH**: Denotes RoHs compliance

**RL**: Denotes RoHs compliance and UL certified

## PLASTIC WITH THUMB SCREWS

- Gray Plastic
- Includes Necessary Hardware for Assembly
- Metal Clamp Strain Relief
- Thumb Screw with Knurl



**DP-SPT-09C**

**DP-SPT-25C**

## METALIZED WITH THUMB SCREWS

- Metalized Plastic
- Includes Necessary Hardware for Assembly
- Metal Clamp Strain Relief
- Thumb Screw with Knurl



**DDN-25CT**

**DDN-(XX)CT**

XX= Pins: 9, 15, 19, 25, 37, 50.

## GRAY PLASTIC HOODS (Nylon SR)

- Nylon Screw Strain Relief
- Includes Necessary Hardware for Assembly
- Hex Hole for Allen Wrench



**DP-09C/S**

**DP-15C/S**

**DP-25C/S**

## METALIZED PLASTIC HOODS

- Light Weight Alternative for Die Cast Metal Hoods
- Includes Necessary Hardware for Assembly
- Metal Clamp Strain Relief



**DN-15C**

**DN-(XX)C**

XX= Pins: 9, 15, 25, 37, 50.

**DN-(XX)C-RL** **RoHS**



**RL**: Denotes RoHs compliance and UL certified

## METALIZED RIBBON D-SUB CABLE HOODS

- Metalized Plastic
- Includes All Necessary Hardware for Assembly
- Plain Plastic Available



**DN-09CF**

**DN-25CF**

**DN-37CF**

## 45° STRAIN RELIEF PLASTIC HOOD

- Gray Plastic with Short Thumb Screw
- Includes All Necessary Hardware for Assembly
- Cable Exit Hole 45°



**DP-09CR/T**

**DP-25CR/T**



Please use only with IDC-(XX)FB or MB Series

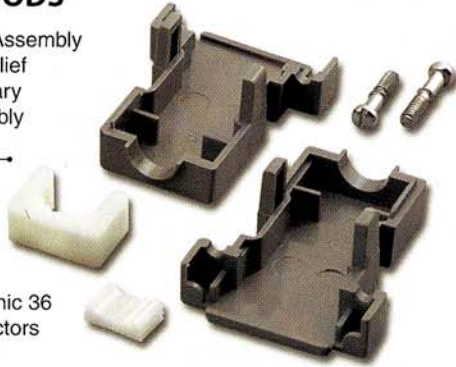
## SNAP SHUT HOODS

- Snap Shut Locking Assembly
- Snap Shut Strain Relief
- Includes All Necessary Hardware for Assembly

DP-09CB

DP-15CB

DP-25CB



DP-36CB For Centronic 36 Pin Connectors

## DUAL EXIT HOOD (180° & 90° Exit)

- Single Piece Clamp Screw Shut Style Black DB 25 Hood
- Various Sizes of Strain Relief
- Includes All Necessary Hardware for Assembly

DP-25DA



## GENDER CHANGER HOODS

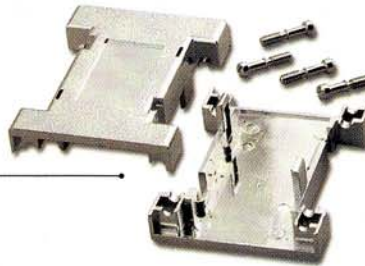
- Snap Shut Locking Assembly
- Includes All Necessary Hardware for Assembly

**Metalized**

DN-09JBC

DN-15JBC

DN-25JBC



**Plastic**

DP-09JBC-G

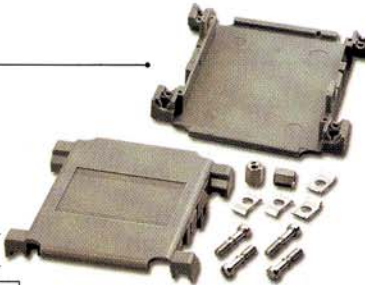
**Gray Color**

DP-15JBC-G

DP-25JBC-G1

DP-25JBC-G2\*

DP-25JBC-G3



**Plastic**

DP-09JBC-BK

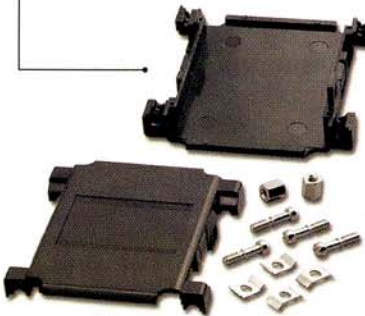
**Black Color**

DP-15JBC-BK

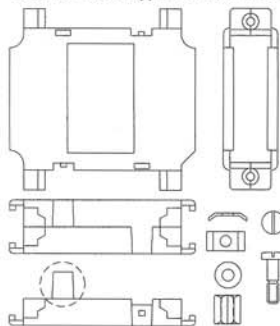
DP-25JBC-BK1

DP-25JBC-BK2\*

DP-25JBC-BK3



\* Used for Solder Type Connector Only



DP-25JBC-BK2

## RIBBON CABLE D-SUB HOODS

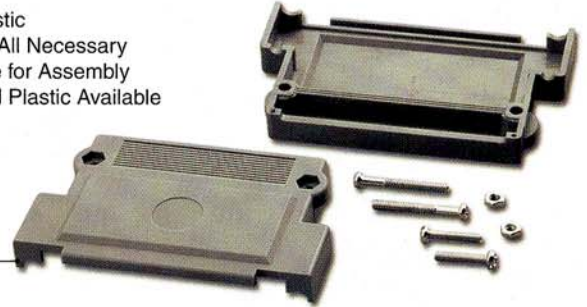
- Gray Plastic
- Includes All Necessary Hardware for Assembly
- Metalized Plastic Available

DP-09CF

DP-15CF

DP-25CF

DP-37CF



Please use only with IDC-(XX)FB or MB Series

## SERIAL ADAPTOR HOODS

- Snap Shut Locking Assembly
- Includes All Necessary Hardware for Assembly

**Gray**

DP-15/9C-G

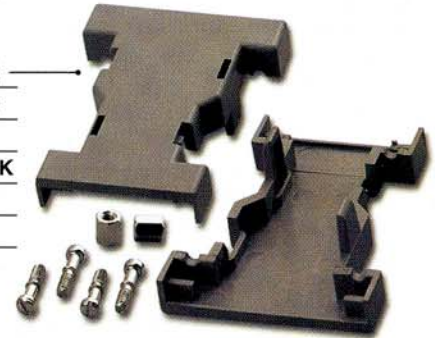
DP-25/9C-G

**Black**

DP-25/9C-BK

**Metalized**

DN-25/9C



## METAL ETHERNET HOOD

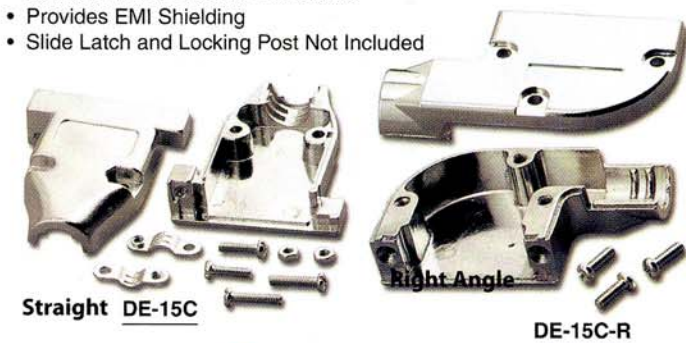
- Includes Necessary Hardware for Assembly
- Die Cast Metal Hood for AUI Cable
- Provides EMI Shielding
- Slide Latch and Locking Post Not Included

**Straight**

DE-15C

**Right Angle**

DE-15C-R



Slide Latch and Locking Post. Page 118

## METAL HOODS

- Metal Clamp Strain Relief (Not Included in DM-9C)
- Includes Necessary Hardware for Assembly
- 9Pin Has Two Cable Exit Diameter Options Available
- Die Cast Metal Hood
- Provides EMI Shielding

DM-15C

DM-25C

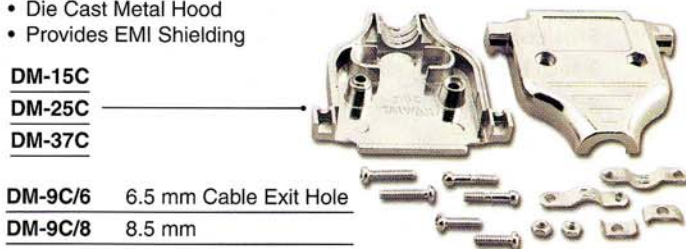
DM-37C

DM-9C/6

6.5 mm Cable Exit Hole

DM-9C/8

8.5 mm



## METAL HOODS W/ GROMMETS

- Includes Necessary Hardware for Assembly
- Rubber Grommets with various inside diameters for Strain Relief
- Packaged w/ 3 to 5 Grommets for each Hood
- Die Cast Metal Hood
- Provides EMI Shielding

### Straight

**DM-(XX)C/GR**



**DM-50C/GR**

XX= Pins: 9, 15, 25, 37, 50.

## GROMMETS FOR METAL HOODS

- Flexible, Rubber Material
- Each Set with Different Inside Diameter



Part #	Use On	O.D. (MM)	I.D. (mm)				
			1	2	3	4	5
DM-GR-9, 15	DM-9 or 15C/GR	10	5	6	7	8	9
DM-GR-25	DM-25C/GR	12	6	7	8	9	10
DM-GR-37, 50	DM-37 or 50C/GR	16	8.5	10	11.5	13	14.5

## HARDWARE FOR HOODS

**H-SET-25C** Includes one set cord strain reliever wire holder, Saddle Washer, Shoulder Screw, 12mm 4/40 screw, 7.5mm 4/40 screw and nut. For DP25C



**H-SET-25C/S** Includes two each Saddle Washer, Shoulder screw, 12mm 4/40 screw, nut, and one plastic strain relief screw. For DP-25C/S



## FOR AUI CABLE

**HSL-15** Slide Latch

**HSL-P** Slide Lock Post Kit, Include 2 each Locking Post and 2 flat washers, 2 split washer



## METAL HOODS WITH GROMMETS

- Includes Necessary Hardware for Assembly
- Rubber Grommets with Various Inside Diameters for Strain Relief
- Packaged with 3 to 5 Grommets for Each Hood
- Die Cast Metal Hood
- Provides EMI Shielding

### Right Angle

**DM-(XX)CR/GR**

XX= Pins: 9, 15, 25.



**DM-15CR/GR**

## DUST COVER FOR D-SUB

- Flexible Translucent Plastic
- Protects Connector from Dust and/or Moisture

**Male DST-D(XX)P**



**DST-D09P**

**Female DST-D(XX)S**



**DST-D09S**

XX= Pins: 9, 15, 25, 37.

## DUST COVERS FOR CENTRONIC

- Flexible Translucent Plastic
- Protects Connector from Dust and/or Moisture

**Male DST-57(XX)P**



**DST-5736P**

**Female DST-57(XX)S**



**DST-5714S**

XX= Pins: 14, 36, 50.

## SCREW LOCK KIT

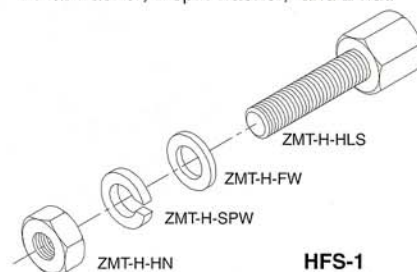
**HFS-1** Include 1 short 4/40 Hex Locking Screw thread length 7.5mm, and 2 Flat washer, 1 split washer, and 1 nut.

**HFS-1/SET** Include 2 short 4/40 Hex Locking Screw thread length 7.5mm, and 4 Flat washer, 2 split washer, and 2 nut.

**HFS-2** Include 1 Hex Locking Screw thread length 12 mm, and 2 Flat washer, 1 split washer, and 1 nut.

**HFS-2/SET** Include two 4/40 Hex Locking Screw thread length 12 mm, and 4 Flat washer, 2 split washer, and 2 nut.

**HFS-3/SET** Include 2 each Hex Locking Screw thread length 7.5mm, 4 Flat washer, 2 split washer, and 2 nut.



**HFS-1**