

## IMPEDANCE MATCHING ADAPTOR


- Save time and effort by allowing the used of existing Coaxial Cables on Networks that requires different Impedance, i.e. setting up Ethernet(50Ω) over existing ARCnet Cables (93Ω), by matching the impedance.
- BNC Jack to Jack Configuration
- Metal Enclosure with Impedance Marking for Cable to Devices Matching

<b>DC-B93F2F50</b>	93Ω to 50Ω F/F
<b>DC-B75F2F50</b>	75Ω to 50Ω F/F
<b>DC-B93F2F75</b>	93Ω to 75Ω F/F



## DATA CABLE ASSEMBLY

<b>DC-M2-8'</b>	Data Connector Patch Cable, 8ft (IBM#8642551)
<b>DC-M/D9-8'</b>	Data Connector to DB9 Cable, 8ft (IBM#6339098)
<b>DC-M-BNC-8'</b>	Data Connector to BNC Cable, 8ft
<b>DC-M-BNC2-8'</b>	Data Connector to 2 BNC Cable, 8ft
<b>DC-M-DPC-8'</b>	Data Connector to Dual Purpose Connector 8ft(IBM#6339073)
<b>DC-M-TWX-8'</b>	Data Connector to Twinax Cable, 8ft (IBM#6091075)

 **Special Lengths Available, Please Call**

## DATA BALUNS

- Red Baluns: Compatible with IBM Type Red Baluns.
- Yellow Baluns: Compatible with IBM Type Yellow Baluns.
- Blue Baluns: For Thin-Net, 10 Base 2
- Green Balun: For IBM System/3X, AS/400; Twin-Ax
- Available W/Single or Dual BNC Configuration
- Impedance Matching Between Coax Signal and 150 ohm Shielded Twisted Pair Signal

**Red Balun** for IBM 3278 (Category A)

<b>DC-1D-10-RD</b>	D.C. to Single BNC, <b>Compact</b> Version
<b>DC-1D-11-RD</b>	D.C. to <b>Single</b> BNC, IBM 6339082
<b>DC-1D-12-RD</b>	D.C. to <b>Dual</b> BNC, IBM 6339083

**Yellow Balun** for IBM 3277 (Category B)

<b>DC-1D-20-YW</b>	D.C. to Single BNC, <b>Compact</b> Version
<b>DC-1D-21-YW</b>	Data Connector to <b>Single</b> BNC
<b>DC-1D-22-YW</b>	Data Connector to <b>Dual</b> BNC

**Blue Balun** for Thin net (10 Base 2)


<b>DC-1D-31-BLU</b>	Data Connector to <b>Single</b> BNC
---------------------	-------------------------------------

**Green Balun** for IBM System/3X, AX/400

<b>DC-1D-51-GRN</b>	Data Connector to <b>Twin-Ax</b> Connector
<b>DC-1D-51B-GN</b>	Data Connector to <b>Twin-Ax</b> Female

**Wang Balun** (BNC/TNC)

<b>DC-1D-42-WNG</b>	Data Connector with BNC/TNC Adaptor
---------------------	-------------------------------------

 D.C.=Data Connector



**DC-1D-22-YW**

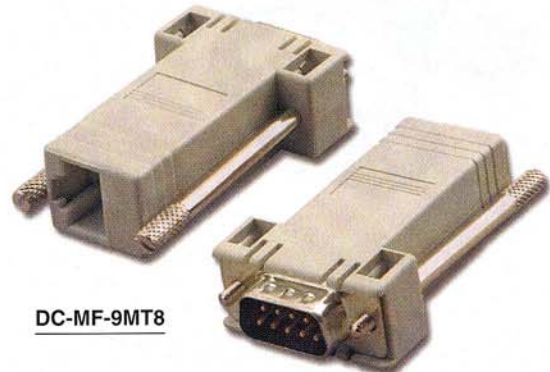


**DC-M-BNC2-8'**

## MEDIA FILTERS

- Gold Plated Contacts, Both at D-Sub end & RJ-Jack end.
- Rugged Plastic Housing with Thumb Screw
- DB9 Male Connector to either RJ11 or RJ45 Jack.
- Allow IEEE 802.5 Token Ring Device Operating at either 4 or 16 Mbps to be Connected to Unshielded Twist Pair (UTP) Cables
- Allow Transmission Distance of up to 1000 ft at 4 MHZ and 400 ft at 16 MHZ with level 4 UTP

<b>DC-MF-9MT6</b>	DB9 Male to RJ11, 6c Jack
<b>DC-MF-9MT8</b>	DB9 Male to RJ45, 8c Jack



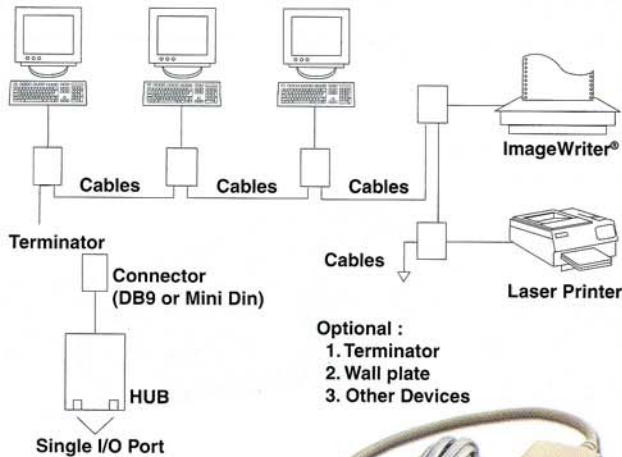
**DC-MF-9MT8**

## NETWORKING KITS

- Apple Talk® or Apple Phonet® Compatible Kit.
- Additional Mini Din Cable, Modular Cable and Mini Din Adaptor are Available.



<b>DC-AP-MAC</b>	DB9 Connector & Mini Din 3 ports
<b>DC-AP-MACPL</b>	Mini Din 8 Connector & Mini Din 3 ports
<b>DC-APM-MAC</b>	DB9 Connector & Modular Jack ( RJ11 ) ports



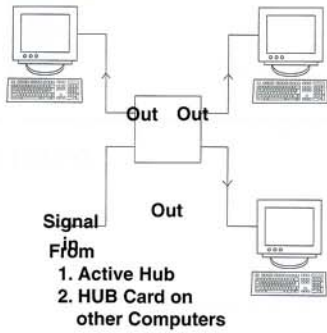
**DC-APM-MACPL**

- Optional :
1. Terminator
  2. Wall plate
  3. Other Devices

## ARCNET PASSIVE HUBS

- Use as the Center of the Star Configuration in Arcnets
- Wall Mount Passive Hub available with a set of Mounting Screws and a 93Ω Terminator

<b>DC-10A-1</b>	Wall Mount unit, See Notes Above
<b>DC-10A-2</b>	Compact unit, Molded, Black
<b>BNC-3063</b>	93 Ω Terminator 1/2W, 5%
<b>BNC-3063-1</b>	93 Ω Terminator 1/2W, 1%
<b>BNC-3063-2</b>	93 Ω Terminator 1/2W, 1% with Grounding Chain

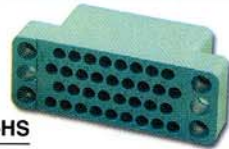


**DC-10A-2**

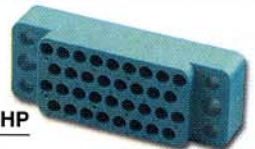
## V.35 CONNECTORS

- Metal Shell, Plastic Housing
- Connectors used on High Speed Transmission Devices

<b>V35-S-HP</b>	Hood and Male Housing Set, Pins <b>Not Included</b>
<b>V35-S-HS</b>	Hood and Female Housing Set, Pins <b>Not Included</b>
<b>V35-SH</b>	Metal Connector Hood Only
<b>V35-HP</b>	Male Housing
<b>V35-HS</b>	Female Housing
<b>V35-P/F</b>	Female Pin, Gold Plated, Machine Type
<b>V35-P/F-20AWG</b>	Female Crimp Pins
<b>V35-P/M</b>	Male Pin, Gold Plated, Machine Type
<b>V35-SCRSET</b>	Screws (Set of Two) Only



**V35-HS**



**V35-HP**

<b>V35-HP-STMP</b>	V DOT 35 Male Crimp Housing Stamped
<b>V35-HS-STMP</b>	V DOT 35 Female Crimp Housing Stamped
<b>V35-SH-STMP</b>	V DOT 35 Metal Hood w/Thumb Screws Stamped

<b>V35-P/F-STMP</b>	Female Crimp Pin for <b>Stamped Housing Only</b>
<b>V35-P/M-STMP</b>	Male Crimp Pin for <b>Stamped Housing Only</b>

<b>DST-V35</b>	V DOT 35 Dust Cover for Male Connectors
----------------	---



**V35-SH-STMP**

## DUAL PURPOSE CONNECTOR

- Gold plated Center Contact
- Complete, Ready for assembly, with BNC like front end and Screw-In Strain Relief

### DC-DPC



## COAX MULTIPLEXER

- For Cable Total Lengths not exceeding 5000ft. (1500m)
- Use RG62/U 93ohm Coax Cable
- 2 Ports on IBM3274

### DC-3A Panel Mount Type

### DC-3A1



## TOOLS FOR V.35

### PHT-V35-XTR/F Female Pin Extractor

### PHT-V35-XTR/M Male pin Extractor



 **SEE PAGE 50 TOOLS**