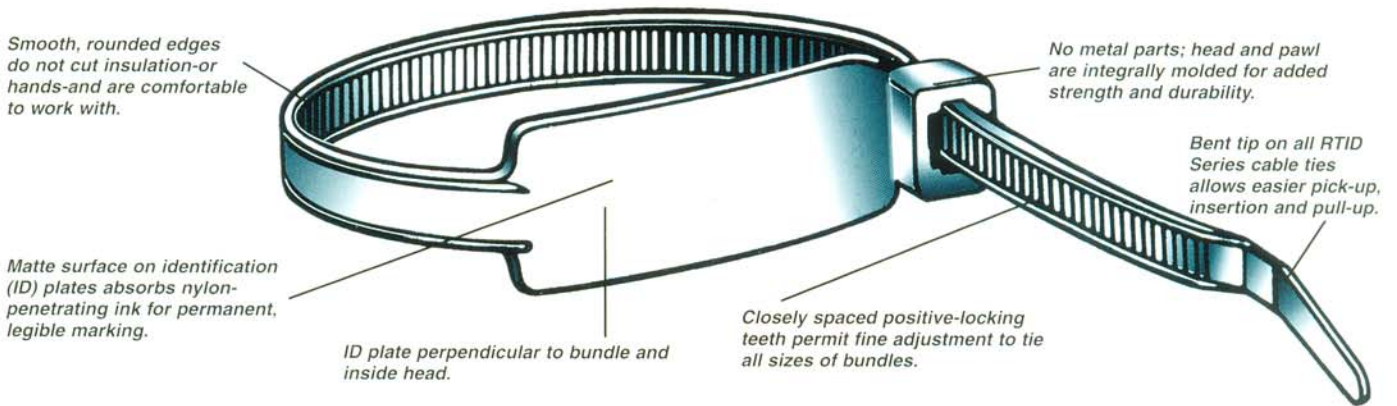
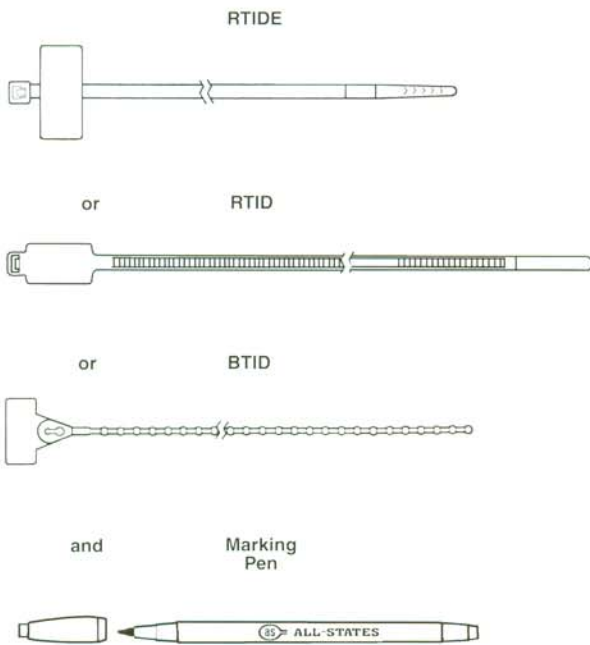


IDENTIFICATION CABLE TIES



Identification Cable Ties with Nylon Marking Pen Packs:

- Fine-tipped nylon-penetrating marking pen is packaged with our most popular identification cable ties.
- Marking pens feature water-resistant, permanent and smudge-proof ink.



**Tie/Pen Packs
Single-Loop Identification Tie Packs**

- **RTIDK-1** includes 100 RTIDE-350 cable ties and one nylon marking pen.
- **RTIDK-2** includes 100 RTID-675 cable ties and one nylon marking pen.

Beaded Identification Tie Packs

- **BTIDK-1** includes 50 BTID-10N cable ties and one nylon black marking pen.
- **BTIDK-2** includes 50 BTID-14N cable ties and one nylon black marking pen.
- **BTIDK-3** includes 50 BTID-17N cable ties and one nylon black marking pen.

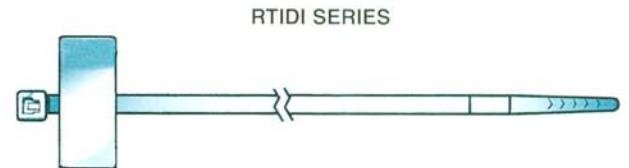
External-Plate Identification Cable Ties

- ID plate molded parallel to bundle and outside head.



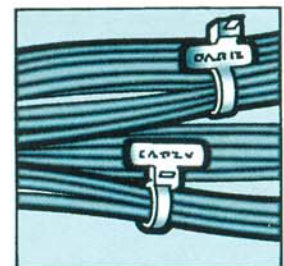
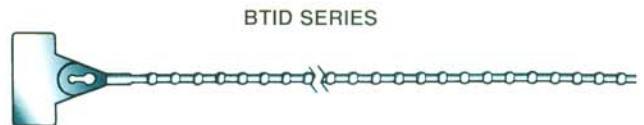
Internal-Plate Identification Cable Ties

- ID plate molded parallel to bundle and inside head.

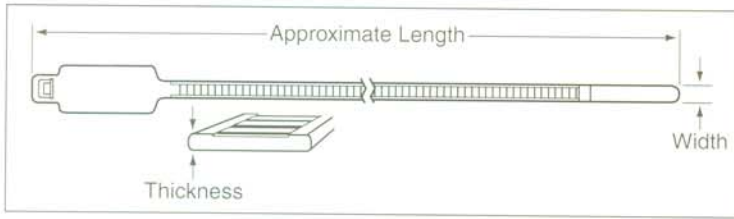


Beaded Identification Ties

- Matte finish on both sides allows versatility in labeling.
- Positive locking head design holds securely, releases easily.
- Smooth, round beads protect insulation.
- Close bead spacing permits finer adjustment for bundles of all sizes.
- ID plate parallel to bundle and outside of head.



RTID Series cable ties provide a convenient, effective means to identify bundles in wiring systems, making it easy to follow circuits.



Ordering Information

Materials: Factory-stocked cable ties include Type 66 nylon in natural and black; and outdoor, weather-resistant/UV-stabilized in black.

Identification Cable Ties

| Model No. | Min. Loop Tensile Strength | | Max. Bundle Diameter | | Approx. Length | | Approx. Strap Width | | Approx. Thickness | | Cross Section Series ^① | Mil. Std. 3368 |
|-----------|----------------------------|------|----------------------|-------|----------------|-------|---------------------|-------|-------------------|-------|-----------------------------------|----------------|
| | Lbs. | (Kg) | In. | mm | In. | mm | In. | mm | In. | mm | | |
| RTIDE-350 | 18 | (8) | .75 | (19) | 4.25 | (108) | .100 | (2.5) | .045 | (1.1) | M | |
| RTIDI-350 | 18 | (8) | .75 | (19) | 3.75 | (95) | .100 | (2.5) | .045 | (1.1) | M | -5 |
| RTID-675 | 50 | (23) | 1.75 | (45) | 8.00 | (203) | .187 | (4.7) | .055 | (1.4) | S | -1 |
| RTID-1100 | 50 | (23) | 3.00 | (76) | 12.00 | (305) | .187 | (4.7) | .055 | (1.4) | S | |
| RTID-1400 | 50 | (23) | 4.00 | (102) | 15.00 | (381) | .187 | (4.7) | .055 | (1.4) | S | -2 |

Beaded Identification Cable Ties

| Model No. | Min. Loop Tensile Strength | | Max. Bundle Diameter | | Approx. Length | | Bead Diameter | | Bead Spacing | | |
|---------------------|----------------------------|------|----------------------|-------|----------------|-------|---------------|-------|--------------|-------|--|
| | Lbs. | (Kg) | In. | (mm) | In. | (mm) | In. | (mm) | In. | (mm) | |
| Nylon | | | | | | | | | | | |
| BTID-10N | 75 | (34) | 3.00 | (76) | 11.00 | (279) | .12 | (3.1) | .25 | (6.4) | |
| BTID-14N | 75 | (34) | 4.00 | (102) | 15.00 | (381) | .12 | (3.1) | .25 | (6.4) | |
| BTID-17N | 75 | (34) | 5.00 | (127) | 18.00 | (457) | .12 | (3.1) | .25 | (6.4) | |
| Polyethylene | | | | | | | | | | | |
| BTID-10PE | 18 | (8) | 3.00 | (76) | 11.00 | (279) | .12 | (3.1) | .25 | (6.4) | |
| BTID-14PE | 18 | (8) | 4.00 | (102) | 15.00 | (381) | .12 | (3.1) | .25 | (6.4) | |
| BTID-17PE | 18 | (8) | 5.00 | (127) | 18.00 | (457) | .12 | (3.1) | .25 | (6.4) | |

Single-Loop Identification Cable Ties with Nylon Marking Pen

| Model No. | Min. Tensile Strength | | Max. Bundle Diameter | | Length | | No. Pieces | Cable Tie Style |
|-----------|-----------------------|------|----------------------|------|--------|-------|------------|-----------------|
| | Lbs. | (Kg) | In. | (mm) | In. | (mm) | | |
| RTIDK-1 | 18 | (8) | .75 | (19) | 4.25 | (108) | 100 | RTIDE |
| RTIDK-2 | 50 | (23) | 1.75 | (45) | 8.00 | (203) | 100 | RTID |

Beaded Identification Cable Ties with Nylon Marking Pen

| Model No. | Min. Tensile Strength | | Max. Bundle Diameter | | Length | | No. Pieces | Cable Tie Style |
|-----------|-----------------------|------|----------------------|-------|--------|-------|------------|-----------------|
| | Lbs. | (Kg) | In. | (mm) | In. | (mm) | | |
| BTIDK-1 | 75 | (34) | 3.00 | (76) | 11.00 | (279) | 50 | BTID |
| BTIDK-2 | 75 | (34) | 4.00 | (102) | 15.00 | (381) | 50 | BTID |
| BTIDK-3 | 75 | (34) | 5.00 | (127) | 18.00 | (457) | 50 | BTID |

^① Cross-Section Series (tensile strength): M = Miniature (18#); and S = Standard (50#).

Compliances

The basic and modified Type 66 nylons used in All-States RTID and BTID Series cable ties meet UL94V-2 Flammability Classification. Mil Spec products are indicated in the ordering table and have QPL 23190 listing for MS-3368. All-States Federal Supply Code for manufacturers (FSCM) is 26863. Products not covered by Mil Specs are manufactured to the same quality standards.

Note: U.S. Patent numbers 3,484,905 & 3,605,199 and other foreign patent numbers apply to All-States RTID and BTID Series cable ties.