

## ***AM Series Small Junction Boxes: Lift-Off Screw Cover***

### **A P P L I C A T I O N**

- Designed for use as electrical junction boxes, terminal wiring boxes, instrumentation housings and electrical control enclosures
- Especially well suited for high temperature or corrosive environments
- Protects from dirt, dust, oil and water
- For use with industrial control equipment in ordinary locations

### **S T A N D A R D S**

- Construction meets NEMA/EEMAC Type 4, 4X, 12 specifications
- UL 508 listed, Type 1, 2, 3, 3R, 4, 4X, 12, 13
- CSA certified LR 89590 for use with industrial control equipment CSA Enc. 1, 2, 3, 4, 4X, 12, 13

### **C O N S T R U C T I O N**

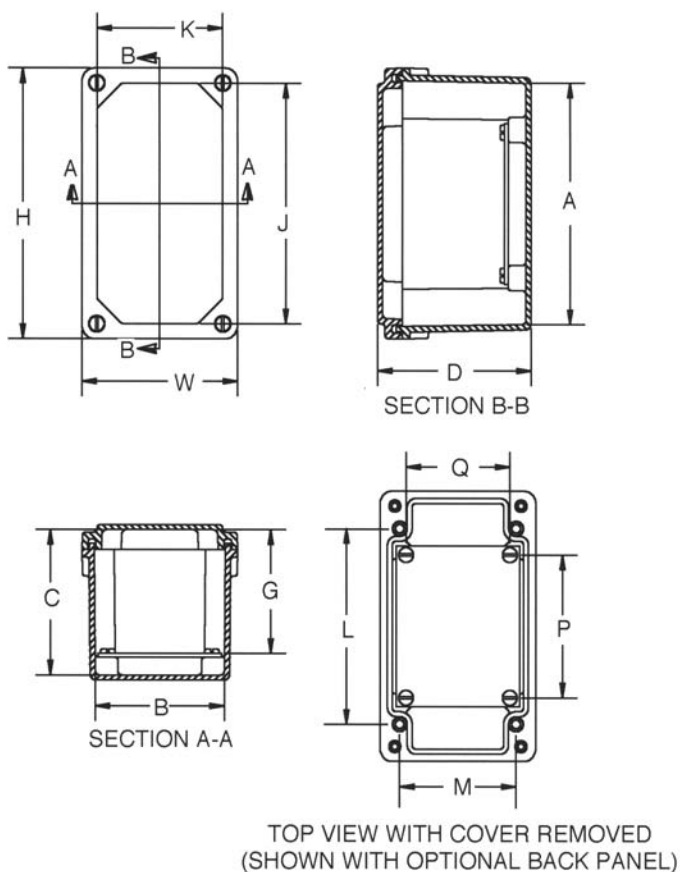
- Rugged, molded fiberglass reinforced polyester construction with reinforced corners
- Two standard sizes: 7" x 4" x 3" and 9" x 4" x 3"
- 304 Stainless steel captive cover screws and mounting feet
- "Tongue and groove" type closed-cell neoprene gasket
- Threaded inserts for optional aluminum back panel
- UV stabilized for outdoor use

### **A C C E S S O R I E S**

- Optional aluminum back panels

### **M O D I F I C A T I O N S**

- Custom holes and cutouts
- Custom size polycarbonate viewing windows
- Molded-in color matches
- EMI/RFI shielding
- Factory-supplied silk screening



Optional Aluminum Back Panel		
Part No.	Height	Width
PA74	4.00	3.13
PA94	6.25	3.13

All dimensions in inches.

Part No.	Overall			Inside				J	K	L	M	P	Q
	H	W	D	A	B	C	G						
AM743	6.74	3.93	3.88	6.01	3.26	3.63	3.08	6.13	3.31	4.88	2.94	3.56	2.63
AM743SF*	6.74	3.93	3.88	6.01	3.26	3.63	3.08	6.13	3.31	4.88	2.94	3.56	2.63
AM943	8.99	3.93	3.88	8.26	3.26	3.63	3.08	8.31	3.31	7.13	2.94	5.81	2.63
AM943SF*	8.99	3.93	3.88	8.26	3.26	3.63	3.08	8.31	3.31	7.13	2.94	5.81	2.63

All dimensions in inches.

\*Available with or without stainless steel mounting feet. Suffix "SF" denotes box without mounting feet.

