

AM-R Series JIC Size Junction Boxes: Hinged Screw Cover

A P P L I C A T I O N

- Designed to insulate and house electrical and electronic controls, instruments or components for indoor and outdoor applications
- Especially well suited for high temperature or corrosive environments
- Protects from dirt, dust, oil and water

S T A N D A R D S

- Construction meets NEMA/EEMAC Type 4, 4X, 12 specifications
- UL 508 listed, Type 1, 2, 3, 3R, 4, 4X, 12, 13
- CSA certified LR 89590 for use with industrial control equipment CSA Enc. 1, 2, 3, 4, 4X, 12, 13

C O N S T R U C T I O N

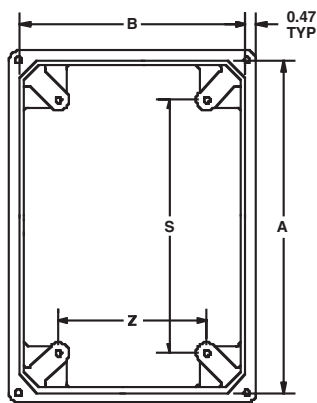
- Strong, molded fiberglass reinforced polyester construction with matching raised cover
- 304 stainless steel captive cover screws
- Continuous stainless steel hinge
- Gasket made of closed-cell neoprene cord encased in a continuous channel
- 304 stainless steel wall mounting feet with 10-32 stainless steel screws included
- 10-32 threaded inserts are installed for optional back panel
- JIC sizing
- Fiberglass material is easily punched, drilled or sawed
- UV stabilized for outdoor use

A C C E S S O R I E S

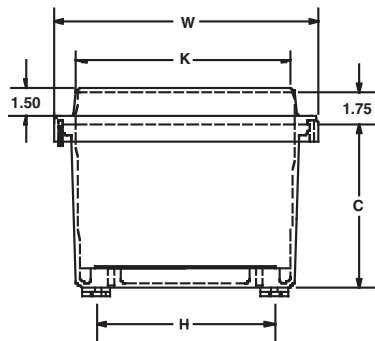
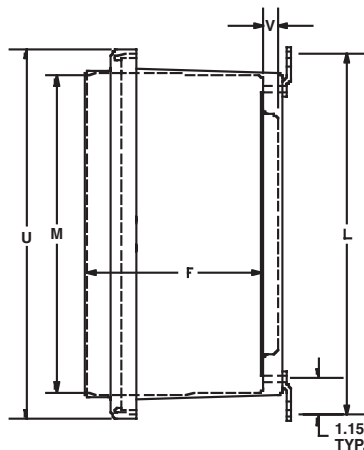
- Optional painted carbon steel back panels (See table on pages 64-65.)
- Optional aluminum back panels (See table on pages 64-65.)
- Optional deadfront panel (See table on pages 64-65.)

M O D I F I C A T I O N S

- Custom size holes and cutouts
- Custom size polycarbonate viewing windows
- Molded-in color matches
- Hinge installed on short side
- EMI/RFI shielding
- Factory-supplied silk screening



Note: Cover removed for clarity



Nom. 1/8" wall thickness

| Part No. | Box Size | | | Centers | | | | | | Cover Dim. | | | |
|----------|----------|-------|------|---------|------|-------|-------|-------|-------|------------|-------|-------|-------|
| | A | B | C | V | F | H | S | Z | L | K | M | U | W |
| AM664RH | 6.10 | 6.10 | 4.18 | 0.44 | 5.26 | 5.01 | 4.25 | 4.25 | 7.32 | 6.08 | 6.08 | 7.69 | 7.69 |
| AM864RH | 8.00 | 6.13 | 4.13 | 0.44 | 5.21 | 5.01 | 6.25 | 4.25 | 9.19 | 6.11 | 7.98 | 9.59 | 7.71 |
| AM1084RH | 10.14 | 8.26 | 4.13 | 0.44 | 5.21 | 7.01 | 8.25 | 6.25 | 11.19 | 8.44 | 10.32 | 11.73 | 9.85 |
| AM1086RH | 10.14 | 8.26 | 6.13 | 0.44 | 7.21 | 7.01 | 8.25 | 6.25 | 11.19 | 8.44 | 10.32 | 11.73 | 9.85 |
| AM1206RH | 12.14 | 10.26 | 6.13 | 0.44 | 7.21 | 9.01 | 10.25 | 8.25 | 13.19 | 10.45 | 12.32 | 13.73 | 11.85 |
| AM1426RH | 14.13 | 12.26 | 6.13 | 0.44 | 7.21 | 11.01 | 12.25 | 10.25 | 15.19 | 12.45 | 14.32 | 15.73 | 13.85 |
| AM1648RH | 16.27 | 14.40 | 8.13 | 0.44 | 9.21 | 13.01 | 14.25 | 12.25 | 17.19 | 13.86 | 15.73 | 17.87 | 15.99 |
| AM1868RH | 18.40 | 16.40 | 8.13 | 0.44 | 9.21 | 14.97 | 16.25 | 14.25 | 19.28 | 15.86 | 17.86 | 20.00 | 18.00 |
| AM2068RH | 20.00 | 16.00 | 8.13 | 0.44 | 9.21 | 14.54 | 17.81 | 13.81 | 20.84 | 15.43 | 19.43 | 21.59 | 17.59 |

All dimensions in inches.