

## ***AM-R Series JIC Size Junction Boxes: Hinged Screw Cover With Window***

### **A P P L I C A T I O N**

- Designed to insulate and house electrical and electronic controls, instruments or components for indoor and outdoor applications
- Especially well suited for high temperature or corrosive environments
- Protects from dirt, dust, oil and water
- Window unit provides viewing area for instrumentation or equipment

### **S T A N D A R D S**

- Construction meets NEMA/EEMAC Type 4, 4X, 12 specifications
- UL 508 listed, Type 1, 2, 3, 3R, 4, 4X, 12, 13
- CSA certified LR 89590 for use with industrial control equipment CSA Enc. 1, 2, 3, 4, 4X, 12, 13

### **C O N S T R U C T I O N**

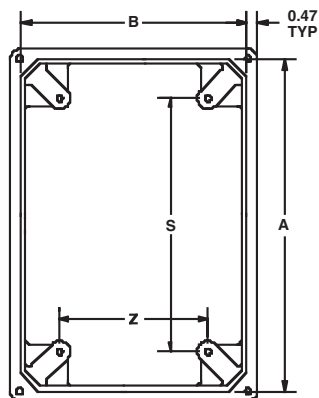
- Strong, molded fiberglass reinforced polyester construction with matching raised cover
- UV resistant polycarbonate viewing window
- 304 stainless steel captive cover screws
- Continuous stainless steel hinge
- Gasket made of closed-cell neoprene cord encased in a continuous channel
- 304 stainless steel wall mounting feet with 10-32 stainless steel screws included
- 10-32 threaded inserts are installed for optional back panel
- JIC sizing
- Fiberglass material is easily punched, drilled or sawed
- UV stabilized for outdoor use

### **A C C E S S O R I E S**

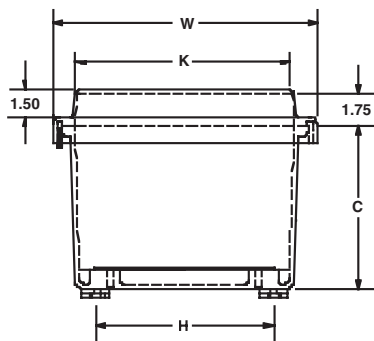
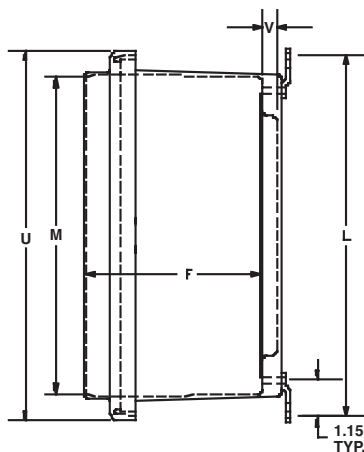
- Optional painted carbon steel back panels (See table on pages 64-65.)
- Optional aluminum back panels (See table on pages 64-65.)
- Optional deadfront panel (See table on pages 64-65.)

### **M O D I F I C A T I O N S**

- Custom size holes and cutouts
- Custom size polycarbonate viewing windows
- Molded-in color matches
- Hinge installed on short side
- EMI/RFI shielding
- Factory-supplied silk screening



Note: Cover removed for clarity



Nom. 1/8" wall thickness

Part No.	Box Size			Centers						Cover Dim.				Win. Dim.
	A	B	C	V	F	H	S	Z	L	K	M	U	W	
AM664RHW	6.10	6.10	4.18	0.44	5.26	5.01	4.25	4.25	7.32	6.08	6.08	7.69	7.69	4.25 x 4.25
AM864RHW	8.00	6.13	4.13	0.44	5.21	5.01	6.25	4.25	9.19	6.11	7.98	9.59	7.71	4.25 x 6.25
AM1084RHW	10.14	8.26	4.13	0.44	5.21	7.01	8.25	6.25	11.19	8.44	10.32	11.73	9.85	6.50 x 8.38
AM1086RHW	10.14	8.26	6.13	0.44	7.21	7.01	8.25	6.25	11.19	8.44	10.32	11.73	9.85	6.50 x 8.37
AM1206RHW	12.14	10.26	6.13	0.44	7.21	9.01	10.25	8.25	13.19	10.45	12.32	13.73	11.85	8.50 x 10.37
AM1426RHW	14.13	12.26	6.13	0.44	7.21	11.01	12.25	10.25	15.19	12.45	14.32	15.73	13.85	10.50 x 12.37
AM1648RHW	16.27	14.40	8.13	0.44	9.21	13.01	14.25	12.25	17.19	13.86	15.73	17.87	15.99	11.00 x 13.00
AM1868RHW	18.40	16.40	8.13	0.44	9.21	14.97	16.25	14.25	19.28	15.86	17.86	20.00	18.00	12.00 x 14.00
AM2068RHW	20.00	16.00	8.13	0.44	9.21	14.54	17.81	13.81	20.84	15.43	19.43	21.59	17.59	11.00 x 15.00

All dimensions in inches.