



Control Series: Twist Latch Hinged Cover

A P P L I C A T I O N

- Designed to insulate and house electrical and electronic controls, instruments or components for indoor and outdoor applications
- Especially well suited for high temperature or corrosive environments
- Protects from dirt, dust, oil and water

S T A N D A R D S

- Construction meets NEMA/EEMAC Type 4, 4X, 12 specifications
- UL 508 listed, Type 1, 2, 3, 3R, 4, 4X, 12, 13
- CSA certified LR 89590 for use with industrial control equipment CSA Enc. 1, 2, 3, 4, 4X, 12, 13

C O N S T R U C T I O N

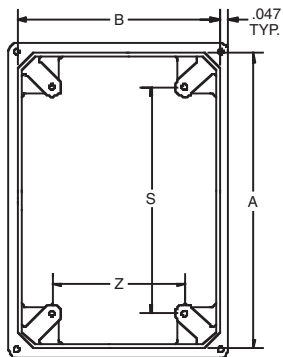
- Strong, molded fiberglass reinforced polyester construction with matching raised cover
- Full panel access
- All usable panel space
- 304 stainless steel twist latches feature padlock hasp
- Continuous stainless steel hinge
- Closed-cell neoprene gasket encased in a continuous channel
- 304 stainless steel wall mounting feet with 3/8-16 stainless steel screws included
- 3/8-16 threaded inserts are installed for optional back panel
- Fiberglass material is easily punched, drilled or sawed
- UV stabilized for outdoor use

A C C E S S O R I E S

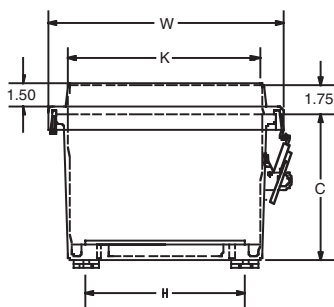
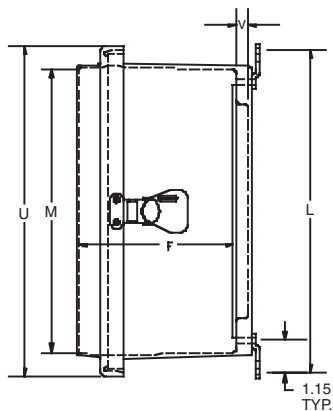
- Optional painted carbon steel back panels (See table on pages 64-65.)
- Optional aluminum back panels (See table on pages 64-65.)
- Optional aluminum hinged deadfront panel (See table on pages 64-65.)

M O D I F I C A T I O N S

- Custom size holes and cutouts
- Custom size polycarbonate viewing windows
- Molded-in color matches
- EMI/RFI shielding
- Factory-supplied silk screening



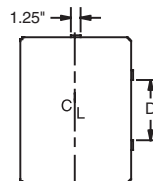
Note: Cover removed for clarity



Nom. 1/8" wall thickness

Latch Locations

For use on:
 24x20x8 D=14.50, 24x20x10 D=13.75
 24x24x8 D=14.50, 24x24x10 D=13.75
 30x24x8 D=18.50, 30x24x10 D=18.75



Part No.	Box Size			Centers						Cover Dim.			
	A	B	C	V	F	H	S	Z	L	K	M	U	W
AM24208RT	24.00	20.00	8.13	1.00	8.65	18.75	19.25	15.25	25.06	20.16	24.16	25.59	21.59
AM24248RT	24.00	24.00	8.13	1.00	8.65	22.75	19.25	19.25	25.06	24.16	24.16	25.59	25.59
AM30248RT	30.00	24.00	8.13	1.00	8.65	22.75	25.25	19.25	31.06	24.16	30.16	31.59	25.59
AM24200RT	24.00	20.00	10.13	1.00	10.65	18.75	19.25	15.25	25.06	20.16	24.16	25.59	21.59
AM24240RT	24.00	24.00	10.13	1.00	10.65	22.75	19.25	19.25	25.06	24.16	24.16	25.59	25.59
AM30240RT	30.00	24.00	10.13	1.00	10.65	22.75	25.25	19.25	31.06	24.16	30.16	31.59	25.59

All dimensions in inches.