

Control Series: Twist Latch Hinged Cover With Window

A P P L I C A T I O N

- Designed to insulate and house electrical and electronic controls, instruments or components for indoor and outdoor applications
- Especially well suited for high temperature or corrosive environments
- Protects from dirt, dust, oil and water
- Window unit provides viewing area for instrumentation or equipment

S T A N D A R D S

- Construction meets NEMA/EEMAC Type 4, 4X, 12 specifications
- UL 508 listed, Type 1, 2, 3, 3R, 4, 4X, 12, 13
- CSA certified LR 89590 for use with industrial control equipment CSA Enc. 1, 2, 3, 4, 4X, 12, 13

C O N S T R U C T I O N

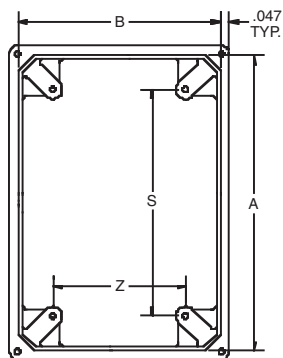
- Strong, molded fiberglass reinforced polyester construction with matching raised cover
- Full panel access
- All usable panel space
- UV resistant polycarbonate viewing window
- 304 stainless steel twist latches feature padlock hasp
- Continuous stainless steel hinge
- Closed-cell neoprene gasket encased in a continuous channel
- 304 stainless steel wall mounting feet with 3/8-16 stainless steel screws included
- 3/8-16 threaded inserts are installed for optional back panel
- Fiberglass material is easily punched, drilled or sawed
- UV stabilized for outdoor use

A C C E S S O R I E S

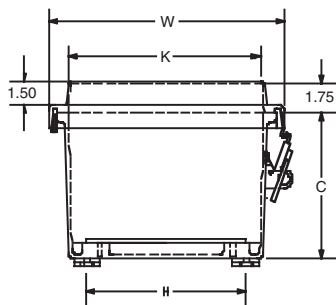
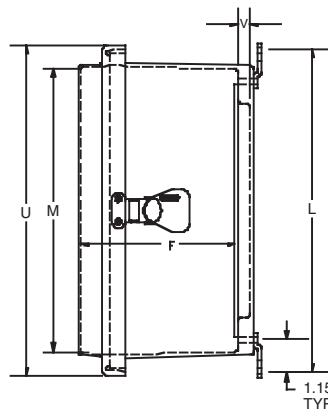
- Optional painted carbon steel back panels (See table on pages 64-65.)
- Optional aluminum back panels (See table on pages 64-65.)
- Optional aluminum hinged deadfront panel (See table on pages 64-65.)

M O D I F I C A T I O N S

- Custom size holes and cutouts
- Custom size polycarbonate viewing windows
- Molded-in color matches
- EMI/RFI shielding
- Factory-supplied silk screening



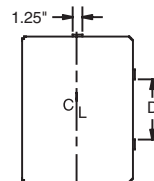
Note: Cover removed for clarity



Nom. 1/8" wall thickness

Latch Locations

For use on:
 24x20x8 D=14.50, 24x20x10 D=13.75
 24x24x8 D=14.50, 24x24x10 D=13.75
 30x24x8 D=18.50, 30x24x10 D=18.75



Part No.	Box Size			Centers						Cover Dim.				Win. Dim.
	A	B	C	V	F	H	S	Z	L	K	M	U	W	
AM24208RTW	24.00	20.00	8.13	1.00	8.56	18.75	19.25	15.25	25.06	20.16	24.16	25.59	21.59	12.00 x 16.00
AM24248RTW	24.00	24.00	8.13	1.00	8.56	22.75	19.25	19.25	25.06	24.16	24.16	25.59	25.59	16.00 x 16.00
AM30248RTW	30.00	24.00	8.13	1.00	8.56	22.75	25.25	19.25	31.06	24.16	30.16	31.59	25.59	17.00 x 23.00
AM24200RTW	24.00	20.00	10.13	1.00	10.56	18.75	19.25	15.25	25.06	20.16	24.16	25.59	21.59	12.00 x 16.00
AM24240RTW	24.00	24.00	10.13	1.00	10.56	22.75	19.25	19.25	25.06	24.16	24.16	25.59	25.59	16.00 x 16.00
AM30240RTW	30.00	24.00	10.13	1.00	10.56	22.75	25.25	19.25	31.06	24.16	30.16	31.59	25.59	17.00 x 23.00

All dimensions in inches.

