

AM Series JIC Size Junction Boxes: Lift-Off Screw Cover

A P P L I C A T I O N

- Designed to insulate and protect controls and components in both indoor and outdoor applications
- Especially well suited for high temperature or corrosive environments
- Protects from dirt, dust, oil and water
- For use with industrial control equipment in ordinary locations

S T A N D A R D S

- Construction meets NEMA/EEMAC Type 4, 4X, 12 specifications
- UL 508 listed, Type 1, 2, 3, 3R, 4, 4X, 12, 13
- CSA certified LR 89590 for use with industrial control equipment CSA Enc. 1, 2, 3, 4, 4X, 12, 13

C O N S T R U C T I O N

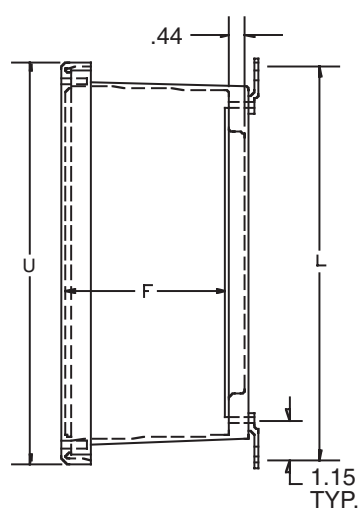
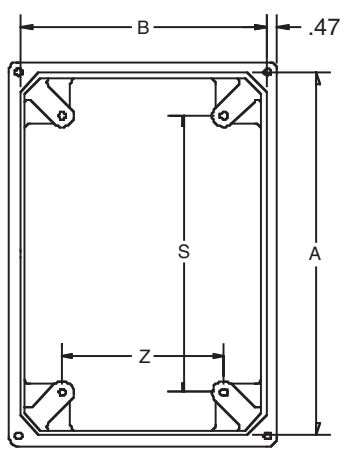
- Strong, molded fiberglass reinforced polyester construction with matching flat cover
- 304 stainless steel captive cover screws
- Gasket made of closed cell neoprene cord encased in a continuous channel
- 304 stainless steel wall mounting feet with 10-32 stainless steel screws included
- 10-32 threaded inserts are installed for optional back panel
- JIC sizing
- Fiberglass material is easily punched, drilled or sawed
- UV stabilized for outdoor use

A C C E S S O R I E S

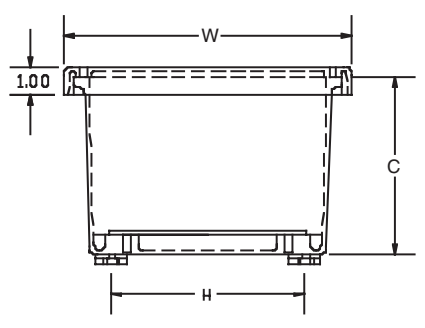
- Optional painted carbon steel back panels (See table on pages 64-65.)
- Optional aluminum back panels (See table on pages 64-65.)

M O D I F I C A T I O N S

- Custom holes and cutouts
- Custom size polycarbonate viewing windows
- Hinge installed on short side
- Molded-in color matches
- EMI/RFI shielding
- Factory-supplied silk screening



Note: Cover removed for clarity



Nominal 1/8" wall thickness

Part No.	Box Size			F	Centers				Cover Dim.	
	A	B	C		H	S	Z	L	U	W
AM664	6.10	6.10	4.18	3.76	5.01	4.25	4.25	7.32	7.69	7.69
AM864	8.00	6.12	4.13	3.68	5.01	6.25	4.25	9.19	9.59	7.71
AM1084	10.14	8.26	4.13	3.68	7.01	8.25	6.25	11.19	11.73	9.85
AM1086	10.13	8.26	6.13	5.68	7.01	8.25	6.25	11.19	11.73	9.85
AM1206	12.13	10.26	6.13	5.68	9.01	10.25	8.25	13.19	13.73	11.85
AM1426	14.13	12.26	6.13	5.68	11.01	12.25	10.25	15.19	15.73	13.85
AM1648	16.27	14.40	8.13	7.68	13.01	14.25	12.25	17.19	17.87	15.99
AM1868	18.40	16.40	8.13	7.68	14.97	16.25	14.25	19.28	20.00	18.00
AM2068	20.00	16.00	8.13	7.68	14.54	17.81	13.81	20.84	21.59	17.59

All dimensions in inches.

