

## ***AM Series JIC Size Junction Boxes: Snap Latch Hinged Cover***

### **A P P L I C A T I O N**

- Designed to insulate and house electrical and electronic controls, instruments or components for indoor and outdoor applications
- Especially well suited for high temperature or corrosive environments
- Protects from dirt, dust, oil and water

### **S T A N D A R D S**

- Construction meets NEMA/EEMAC Type 4, 4X, 12 specifications
- UL 508 listed, Type 1, 2, 3, 3R, 4, 4X, 12, 13
- CSA certified LR 89590 for use with industrial control equipment CSA Enc. 1, 2, 3, 4, 4X, 12, 13

### **C O N S T R U C T I O N**

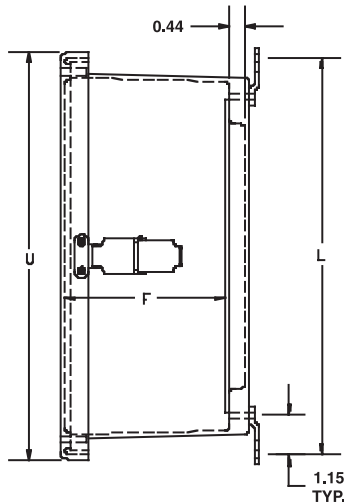
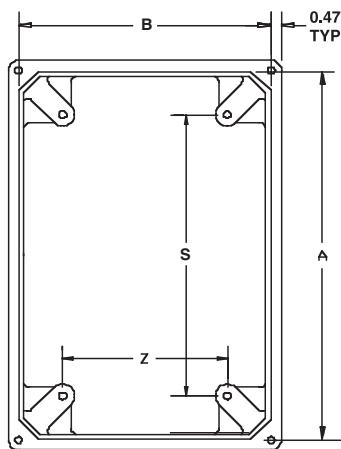
- Strong, molded fiberglass reinforced polyester construction with matching flat cover
- 304 stainless steel snap latches feature padlock hasp
- Continuous stainless steel hinge
- Gasket made of closed cell neoprene cord encased in a continuous channel
- 304 stainless steel wall mounting feet with 10-32 stainless steel screws included
- 10-32 threaded inserts are installed for optional back panel
- JIC sizing
- Fiberglass material is easily punched, drilled or sawed
- UV stabilized for outdoor use

### **A C C E S S O R I E S**

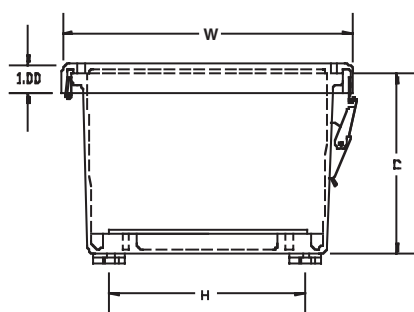
- Optional painted carbon steel back panels (See table on pages 64-65.)
- Optional aluminum back panels (See table on pages 64-65.)

### **M O D I F I C A T I O N S**

- Custom holes and cutouts
- Custom size polycarbonate viewing windows
- Molded-in color matches
- Hinge installed on short side
- EMI/RFI shielding
- Factory-supplied silk screening



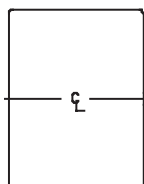
Note: Cover removed for clarity



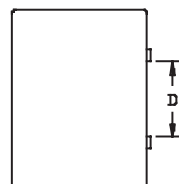
Nom. 1/8" wall thickness

**Latch Locations**

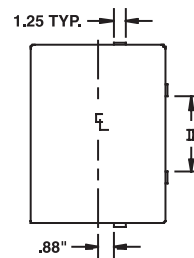
For use on  
6x6x4 8x6x4  
10x8x4  
10x8x6



For use on  
12x10x6 D=6.75  
14x12x6 D=7.25  
16x14x8 D=7.25



For use on  
18x16x8 D=5.25  
20x16x8 D=9.25



| Part No.       | Box Size |       |      | Centers |       |       |       |       | Cover Dim. |       |
|----------------|----------|-------|------|---------|-------|-------|-------|-------|------------|-------|
|                | A        | B     | C    | F       | H     | S     | Z     | L     | U          | W     |
| <b>AM664L</b>  | 6.10     | 6.10  | 4.18 | 3.76    | 5.01  | 4.25  | 4.25  | 7.32  | 7.69       | 7.69  |
| <b>AM864L</b>  | 8.00     | 6.12  | 4.13 | 3.68    | 5.01  | 6.25  | 4.25  | 9.19  | 9.59       | 7.71  |
| <b>AM1084L</b> | 10.13    | 8.26  | 4.13 | 3.68    | 7.01  | 8.25  | 6.25  | 11.19 | 11.73      | 9.85  |
| <b>AM1086L</b> | 10.13    | 8.26  | 6.13 | 5.68    | 7.01  | 8.25  | 6.25  | 11.19 | 11.73      | 9.85  |
| <b>AM1206L</b> | 12.13    | 10.26 | 6.13 | 5.68    | 9.01  | 10.25 | 8.25  | 13.19 | 13.73      | 11.85 |
| <b>AM1426L</b> | 14.13    | 12.26 | 6.13 | 5.68    | 11.01 | 12.25 | 10.25 | 15.19 | 15.73      | 13.85 |
| <b>AM1648L</b> | 16.27    | 14.40 | 8.13 | 7.68    | 13.01 | 14.25 | 12.25 | 17.19 | 17.87      | 15.99 |
| <b>AM1868L</b> | 18.40    | 16.40 | 8.13 | 7.68    | 14.97 | 16.25 | 14.25 | 19.28 | 20.00      | 18.00 |
| <b>AM2068L</b> | 20.00    | 16.00 | 8.13 | 7.68    | 14.54 | 17.81 | 13.81 | 20.84 | 21.59      | 17.59 |

All dimensions in inches.

