

## ***AM Series JIC Size Junction Boxes: Twist Latch Hinged Cover***

### **APPLICATION**

- Designed to insulate and house electrical and electronic controls, instruments or components for indoor and outdoor applications
- Especially well suited for high temperature or corrosive environments
- Protects from dirt, dust, oil and water

### **STANDARDS**

- Construction meets NEMA/EEMAC Type 4, 4X, 12 specifications
- UL 508 listed, Type 1, 2, 3, 3R, 4, 4X, 12, 13
- CSA certified LR 89590 for use with industrial control equipment CSA Enc. 1, 2, 3, 4, 4X, 12, 13

### **CONSTRUCTION**

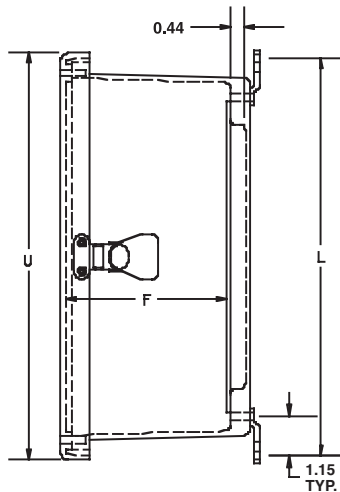
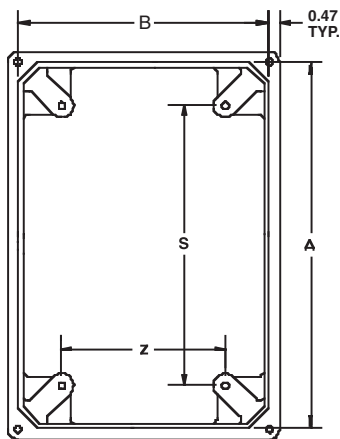
- Strong, molded fiberglass reinforced polyester construction with matching flat cover
- 304 stainless steel twist latches feature padlock hasp
- Continuous stainless steel hinge
- Gasket made of closed cell neoprene cord encased in a continuous channel
- 304 stainless steel wall mounting feet with 10-32 stainless steel screws included
- 10-32 threaded inserts are installed for optional back panel
- JIC sizing
- Fiberglass material is easily punched, drilled or sawed
- UV stabilized for outdoor use

### **ACCESSORIES**

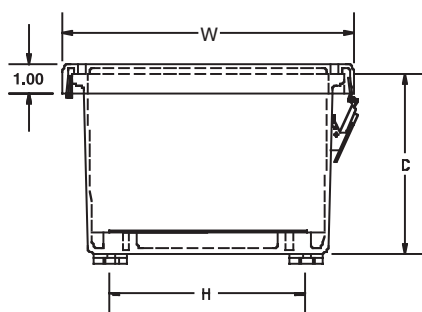
- Optional painted carbon steel back panels (See table on pages 64-65.)
- Optional aluminum back panels (See table on pages 64-65.)

### **MODIFICATIONS**

- Custom holes and cutouts
- Custom size polycarbonate viewing windows
- Molded-in color matches
- Hinge installed on short side
- EMI/RFI shielding
- Factory-supplied silk screening



Note: Cover removed for clarity



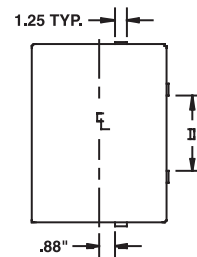
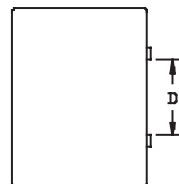
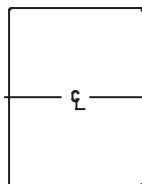
Nom. 1/8" wall thickness

**Latch Locations**

For use on  
6x6x4 8x6x4  
10x8x4  
10x8x6

For use on  
12x10x6 D=6.75  
14x12x6 D=7.25  
16x14x8 D=7.25

For use on  
18x16x8 D=5.25  
20x16x8 D=9.25



Part No.	Box Size			F	Centers				Cover Dim.	
	A	B	C		H	S	Z	L	U	W
<b>AM664T</b>	6.10	6.10	4.18	3.76	5.01	4.25	4.25	7.32	7.69	7.69
<b>AM864T</b>	8.00	6.12	4.13	3.68	5.01	6.25	4.25	9.19	9.59	7.71
<b>AM1084T</b>	10.13	8.26	4.13	3.68	7.01	8.25	6.25	11.19	11.73	9.85
<b>AM1086T</b>	10.13	8.26	6.13	5.68	7.01	8.25	6.25	11.19	11.73	9.85
<b>AM1206T</b>	12.13	10.26	6.13	5.68	9.01	10.25	8.25	13.19	13.73	11.85
<b>AM1426T</b>	14.13	12.26	6.13	5.68	11.01	12.25	10.25	15.19	15.73	13.85
<b>AM1648T</b>	16.27	14.40	8.13	7.68	13.01	14.25	12.25	17.19	17.87	15.99
<b>AM1868T</b>	18.40	16.40	8.13	7.68	14.97	16.25	14.25	19.28	20.00	18.00
<b>AM2068T</b>	20.00	16.00	8.13	7.68	14.54	17.81	13.81	20.84	21.59	17.59

All dimensions in inches.

