

## ***AM Series JIC Size Junction Boxes: Twist Latch Hinged Cover With Window***

### **APPLICATION**

- Designed to insulate and house electrical and electronic controls, instruments or components for indoor and outdoor applications
- Especially well suited for high temperature or corrosive environments
- Protects from dirt, dust, oil and water
- Window unit provides viewing area for instrumentation or equipment

### **STANDARDS**

- Construction meets NEMA/EEMAC Type 4, 4X, 12 specifications
- UL 508 listed, Type 1, 2, 3, 3R, 4, 4X, 12, 13
- CSA certified LR 89590 for use with industrial control equipment CSA Enc. 1, 2, 3, 4, 4X, 12, 13

### **CONSTRUCTION**

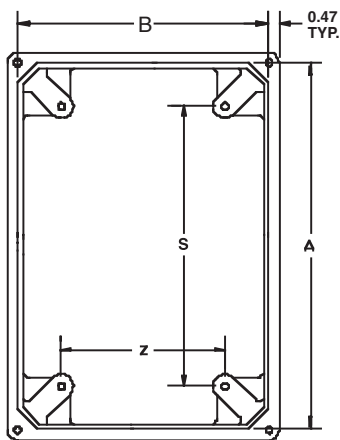
- Strong, molded fiberglass reinforced polyester construction with matching flat cover
- UV resistant polycarbonate viewing window
- 304 stainless steel twist latches feature padlock hasp
- Continuous stainless steel hinge
- Gasket made of closed cell neoprene cord encased in a continuous channel
- 304 stainless steel wall mounting feet with 10-32 stainless steel screws included
- 10-32 threaded inserts are installed for optional back panel
- JIC sizing
- Fiberglass material is easily punched, drilled or sawed
- UV stabilized for outdoor use

### **ACCESSORIES**

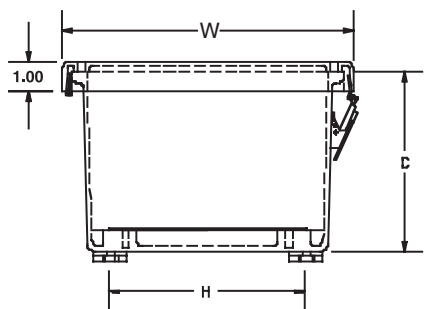
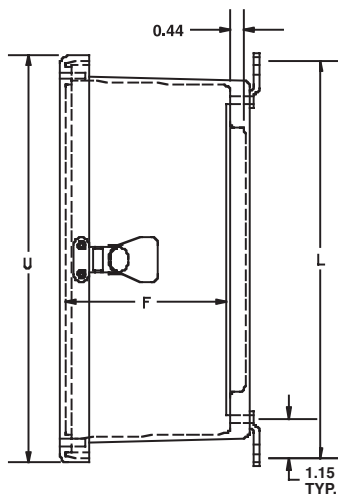
- Optional painted carbon steel back panels (See table on pages 64-65.)
- Optional aluminum back panels (See table on pages 64-65.)

### **MODIFICATIONS**

- Custom holes and cutouts
- Custom size polycarbonate viewing windows
- Molded-in color matches
- Hinge installed on short side
- EMI/RFI shielding
- Factory-supplied silk screening



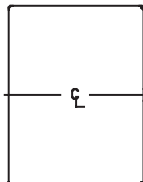
Note: Cover removed for clarity



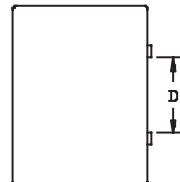
Nom. 1/8" wall thickness

**Latch Locations**

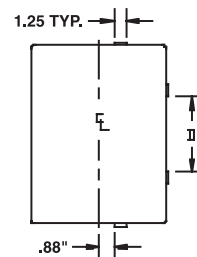
For use on  
6x6x4 8x6x4  
10x8x4  
10x8x6



For use on  
12x10x6 D=6.75  
14x12x6 D=7.25  
16x14x8 D=7.25



For use on  
18x16x8 D=5.25  
20x16x8 D=9.25



Part No.	Box Size			F	Centers				Cover Dim.		Win. Dim.
	A	B	C		H	S	Z	L	U	W	
AM664TW	6.10	6.10	4.18	3.67	5.01	4.25	4.25	7.32	7.69	7.69	4.25 x 4.25
AM864TW	8.00	6.12	4.13	3.59	5.01	6.25	4.25	9.19	9.59	7.71	4.25 x 6.25
AM1084TW	10.13	8.26	4.13	3.68	7.01	8.25	6.25	11.19	11.73	9.85	6.50 x 8.38
AM1086TW	10.13	8.26	6.13	5.59	7.01	8.25	6.25	11.19	11.73	9.85	6.50 x 8.38
AM1206TW	12.13	10.26	6.13	5.59	9.01	10.25	8.25	13.19	13.73	11.85	8.50 x 10.38
AM1426TW	14.13	12.26	6.13	5.59	11.01	12.25	10.25	15.19	15.73	13.85	10.50 x 12.38
AM1648TW	16.27	14.40	8.13	7.59	13.01	14.25	12.25	17.19	17.87	15.99	11.00 x 13.00
AM1868TW	18.40	16.40	8.13	7.59	14.97	16.25	14.25	19.28	20.00	18.00	12.00 x 14.00
AM2068TW	20.00	16.00	8.13	7.59	14.54	17.81	13.81	20.84	21.59	17.59	11.00 x 15.00

All dimensions in inches.

