

AM Series Pushbutton Enclosures: Multi-Hole Hinged Screw Cover

A P P L I C A T I O N

- Designed to insulate and house pushbuttons and switches in applications that require a human-machine interface
- Especially well suited for high temperature or corrosive environments
- Protects from dirt, dust, oil and water
- For use with industrial control equipment in ordinary locations

S T A N D A R D S

- Construction meets NEMA/EEMAC Type 4, 4X, 12 specifications
- UL 508 listed, Type 1, 2, 3, 3R, 4, 4X, 12, 13
- CSA certified LR 89590 for use with industrial control equipment CSA Enc. 1, 2, 3, 4, 4X, 12, 13

C O N S T R U C T I O N

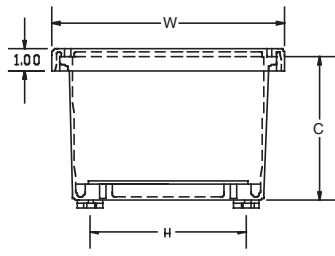
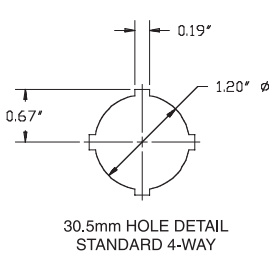
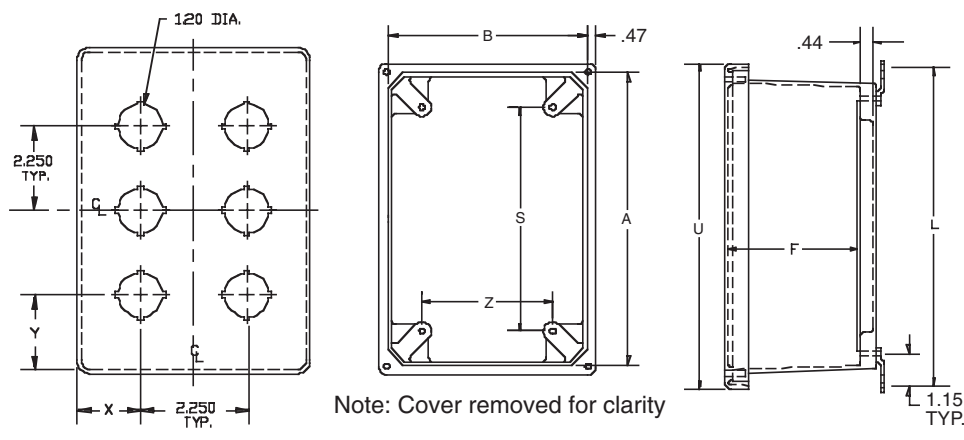
- Constructed to requirements of CSA Enc. 5 based on standard component cutout
- Strong, molded fiberglass reinforced polyester construction
- 304 stainless steel captive cover screws
- Continuous stainless steel hinge
- Gasket made of closed cell neoprene cord encased in a continuous channel
- 304 stainless steel wall mounting feet with 10-32 stainless steel screws included
- 10-32 threaded inserts are installed for optional back panel
- UV stabilized for outdoor use

A C C E S S O R I E S

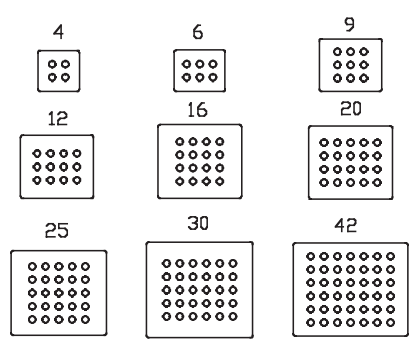
- Optional painted carbon steel back panels (See table on pages 64-65.)
- Optional aluminum back panels (See table on pages 64-65.)

M O D I F I C A T I O N S

- Molded-in color matches
- EMI/RFI shielding
- Factory-supplied silk screening



Pushbutton Arrangements



Part No.	Box Size			Centers				Cover Dim.		No. of Holes	X	Y	
	A	B	C	F	H	S	Z	L	U				W
AM664HP4	6.10	6.10	4.18	3.78	5.01	4.25	4.25	7.35	7.69	7.69	4	2.72	2.72
AM864HP6	8.00	6.13	4.13	3.73	5.01	6.25	4.25	9.23	9.59	7.71	6	2.73	2.55
AM1084HP9	10.13	8.26	4.13	3.68	7.01	8.25	6.25	11.19	11.73	9.85	9	2.68	3.62
AM1086HP9	10.13	8.26	6.13	5.70	7.01	8.25	6.25	11.19	11.73	9.85	9	2.68	3.62
AM1086HP12	10.13	8.26	6.13	5.70	7.01	8.25	6.25	11.19	11.73	9.85	12	2.68	2.49
AM1206HP16	12.13	10.26	6.13	5.70	9.01	10.25	8.25	13.23	13.73	11.85	16	2.55	3.49
AM1206HP20	12.13	10.26	6.13	5.70	9.01	10.25	8.25	13.23	13.73	11.85	20	2.55	2.37
AM1426HP25	14.13	12.26	6.13	5.73	11.01	12.25	10.25	15.23	15.73	13.85	25	2.43	2.37
AM1648HP30	16.27	14.40	8.13	7.70	13.01	14.25	12.25	17.23	17.87	15.99	30	3.50	3.31
AM1868HP42	18.40	16.40	8.13	7.70	14.97	16.25	14.25	19.31	20.00	18.00	42	3.38	3.25

All dimensions in inches

