

AM Series Pushbutton Enclosures: Multi-Hole Lift-Off Screw Cover

A P P L I C A T I O N

- Designed to insulate and house pushbuttons and switches in applications that require a human-machine interface
- Especially well suited for high temperature or corrosive environments
- Protects from dirt, dust, oil and water
- For use with industrial control equipment in ordinary locations

S T A N D A R D S

- Construction meets NEMA/EEMAC Type 4, 4X, 12 specifications
- UL 508 listed, Type 1, 2, 3, 3R, 4, 4X, 12, 13
- CSA certified LR 89590 for use with industrial control equipment CSA Enc. 1, 2, 3, 4, 4X, 12, 13

C O N S T R U C T I O N

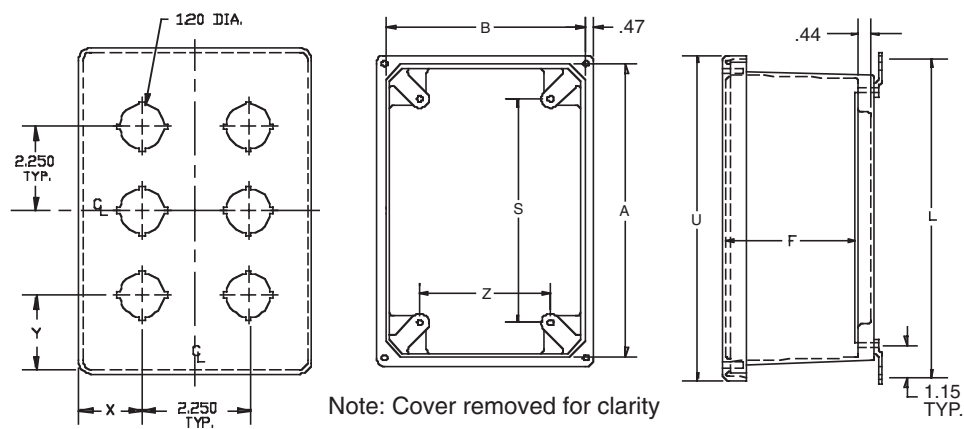
- Constructed to requirements of CSA Enc. 5 based on standard component cutout
- Strong, molded fiberglass reinforced polyester construction
- 304 stainless steel captive cover screws
- Gasket made of closed cell neoprene cord encased in a continuous channel
- 304 stainless steel wall mounting feet with 10-32 stainless steel screws included
- 10-32 threaded inserts are installed for optional back panel
- UV stabilized for outdoor use

A C C E S S O R I E S

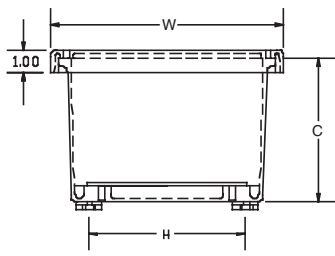
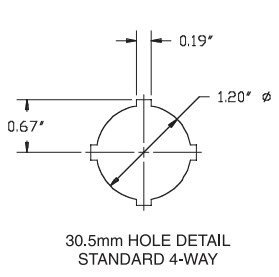
- Optional painted carbon steel back panels (See table on pages 64-65.)
- Optional aluminum back panels (See table on pages 64-65.)

M O D I F I C A T I O N S

- Molded-in color matches
- EMI/RFI shielding
- Factory-supplied silk screening

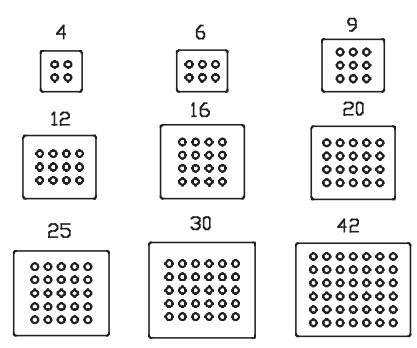


Note: Cover removed for clarity



Nominal 1/8" wall thickness

Pushbutton Arrangements



Part No.	Box Size			F	Centers				Cover Dim.		No. of Holes	X	Y
	A	B	C		H	S	Z	L	U	W			
AM664P4	6.10	6.10	4.18	3.76	5.01	4.25	4.25	7.32	7.69	7.69	4	2.72	2.72
AM864P6	8.00	6.12	4.13	3.68	5.01	6.25	4.25	9.19	9.59	7.71	6	2.73	2.55
AM1084P9	10.13	8.26	4.13	3.68	7.01	8.25	6.25	11.19	11.73	9.85	9	2.68	3.62
AM1086P9	10.13	8.26	6.13	5.68	7.01	8.25	6.25	11.19	11.73	9.85	9	2.68	3.62
AM1086P12	10.13	8.26	6.13	5.68	7.01	8.25	6.25	11.19	11.73	9.85	12	2.68	2.49
AM1206P16	12.13	10.26	6.13	5.68	9.01	10.25	8.25	13.19	13.73	11.85	16	2.55	3.49
AM1206P20	12.13	10.26	6.13	5.68	9.01	10.25	8.25	13.19	13.73	11.85	20	2.55	2.37
AM1426P25	14.13	12.26	6.13	5.68	11.01	12.25	10.25	15.19	15.73	13.85	25	2.43	3.37
AM1648P30	16.27	14.40	8.13	7.68	13.01	14.25	12.25	17.19	17.87	15.99	30	3.50	3.31
AM1868P42	18.40	16.40	8.13	7.68	14.97	16.25	14.25	19.28	20.00	18.00	42	3.38	3.25

All dimensions in inches

