

FURTIF 3, 4, 5SSR STAND-ALONE without safety module

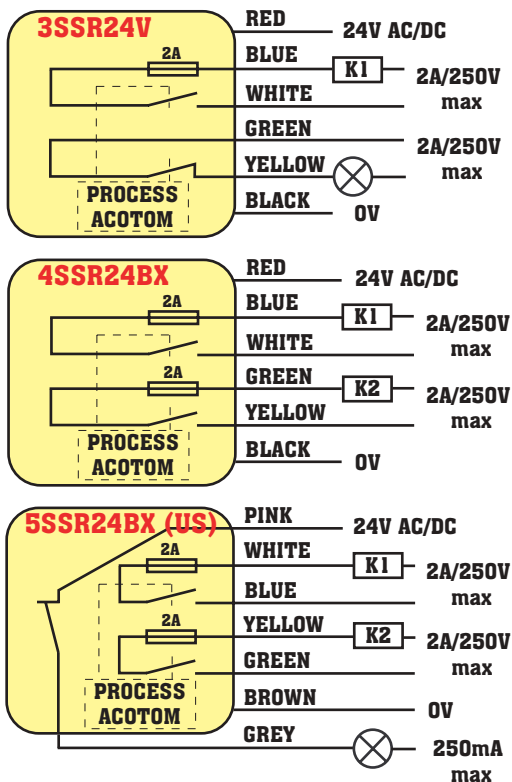
NON-CONTACT CODED SAFETY SWITCH FOR THE CONTROL OF DOORS ON HASARDOUS MACHINES

- Detection distance/hysteresis/misalignment : 10 /+2 /±10 (mm)
- Red LED indicating the code absence
- Dual color LED for the models 4SSR24BX and 5SSR24BXUS
- Mounting brackets and moulded cable
- Connector M12 (5SSR24BXMKT only)
- Polycarbonate housing
- Available in stainless steel 316L (5SSR24BX)
- Protection class IP67
- Temperature -20°C to +60°C

SAFETY CATEGORY

3SSR24V/4SSR24BX/5SSR24BX : **category 1**
 4SSR24BX / 5SSR24BX in series + safety module : **category 3 (category 4 with only one switch)**

ELECTRICAL DIAGRAM

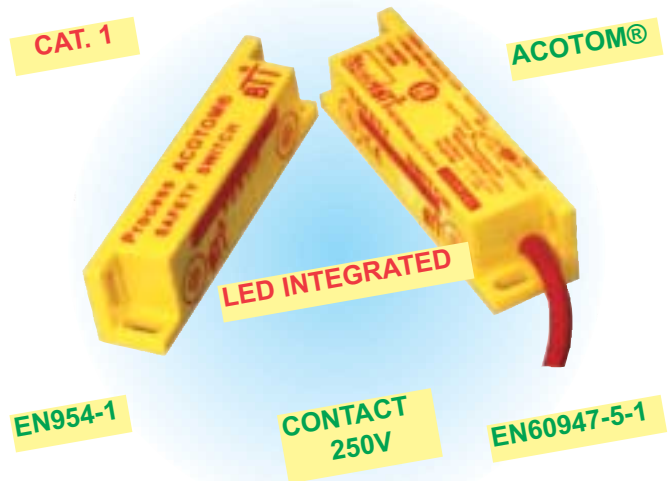


cat.1

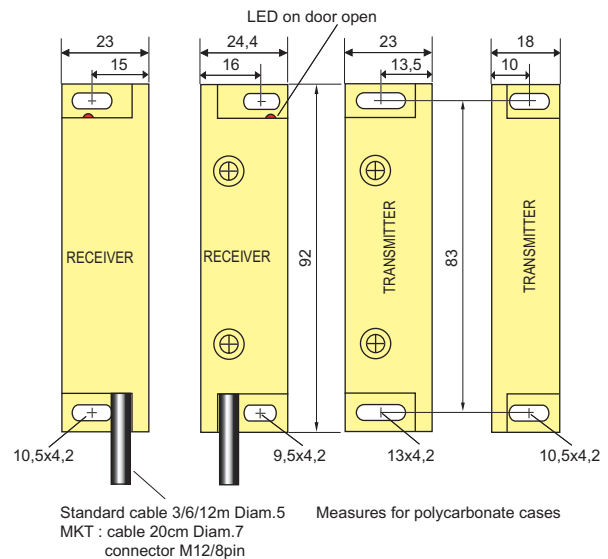
cat.1

cat.1

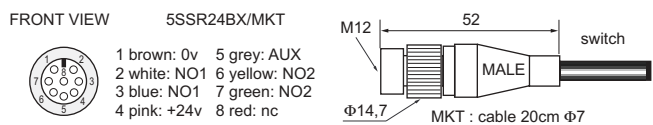
Note : the green/yellow line of the 5SSR24BX is closed in case of lack of power supply.



DIMENSIONS



PIN DETAILS FOR MKT CONNECTOR



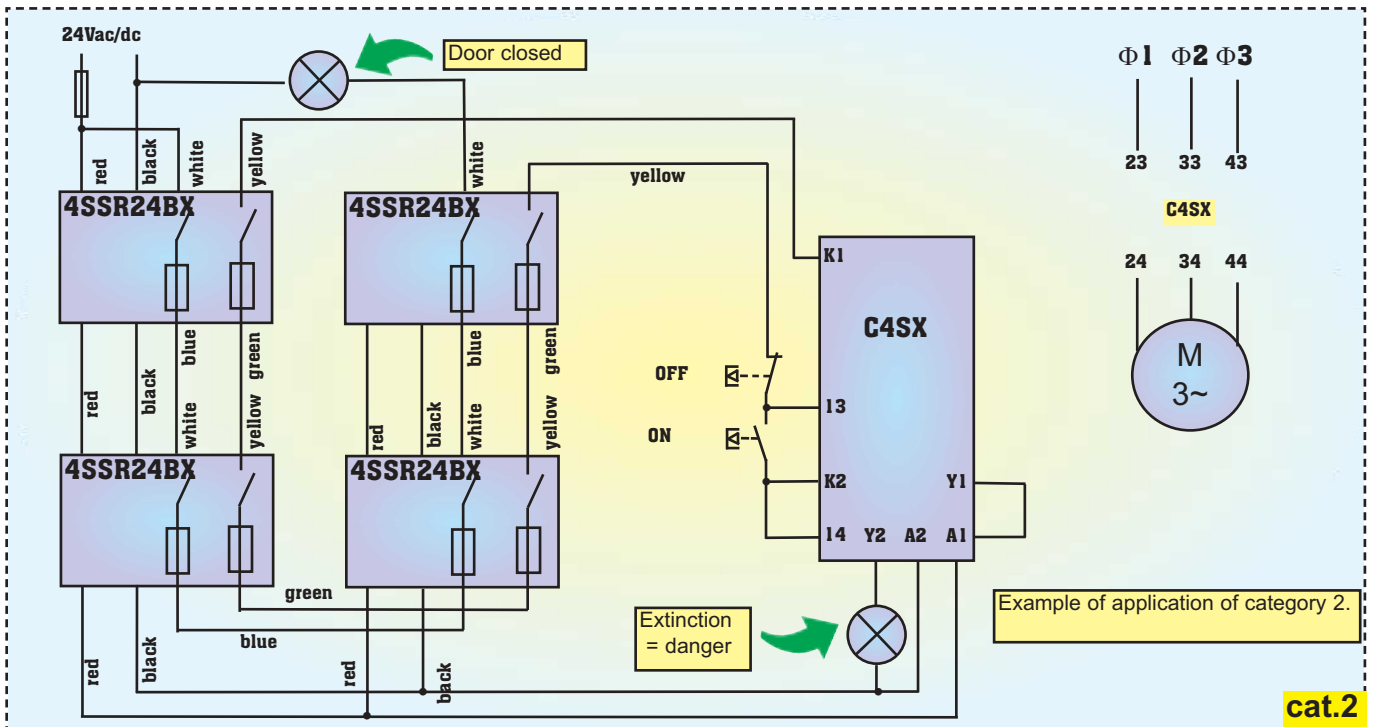
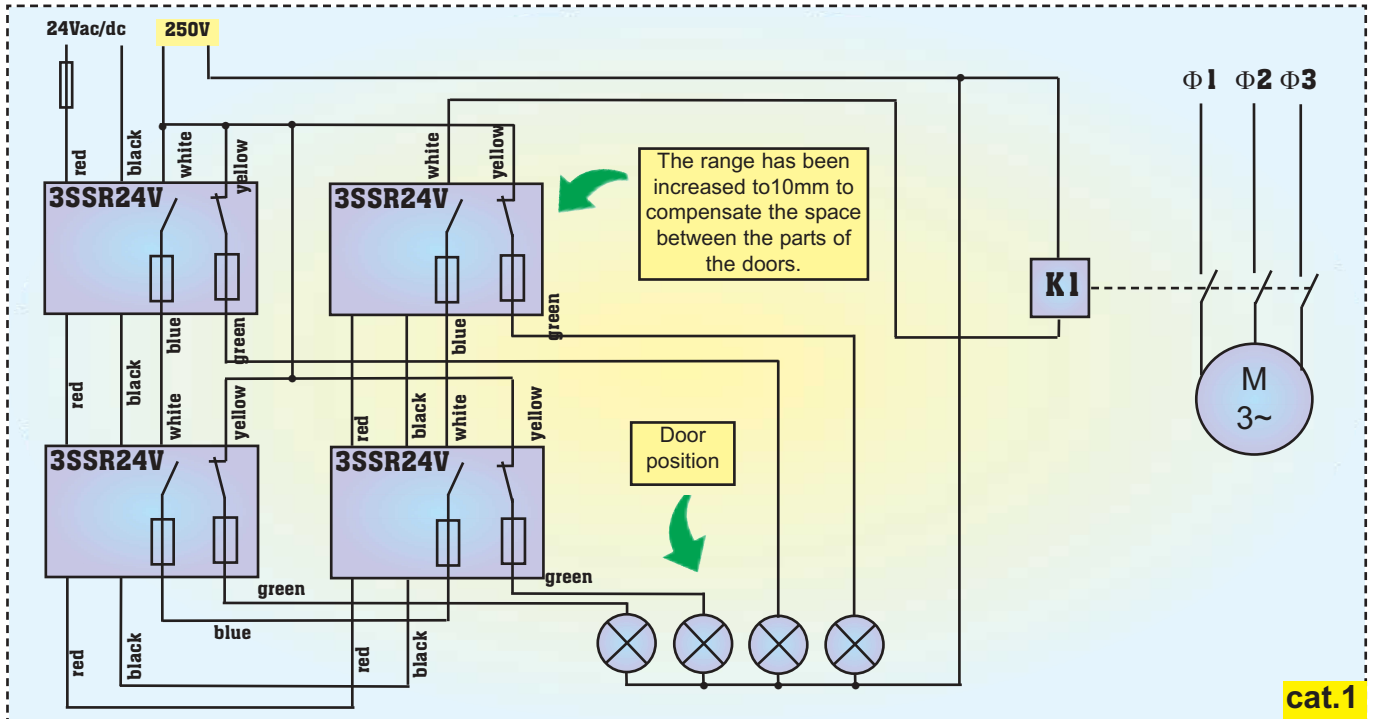
ADVICE

It replaces the mechanical switches. You can benefit from an easy mounting with a high authorized misalignment and a coding system, uncheatable even with a horseshoe magnet.

APPLICATION DIAGRAMS

ACCESS PROTECTION IN CATEGORY 1

CATEGORY 1 OF THE POWER PARTS



5SSR24BX / INOX

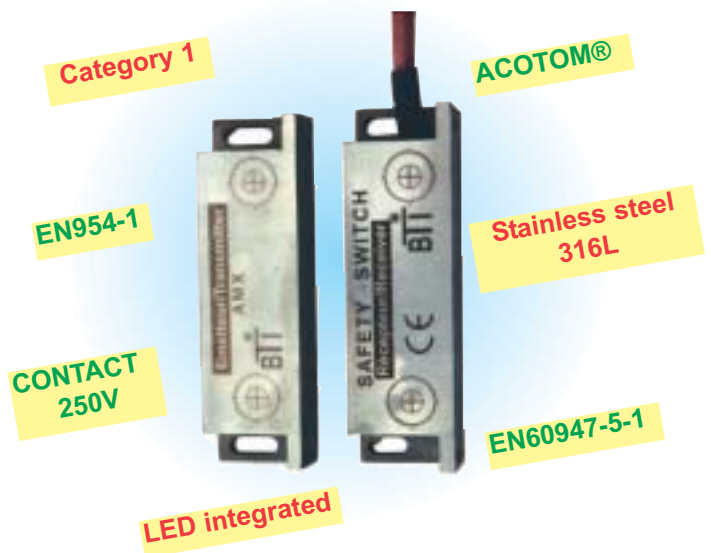
STAND-ALONE without safety module

Non-contact coded electro-mechanical safety switch in stainless steel for machine guards control

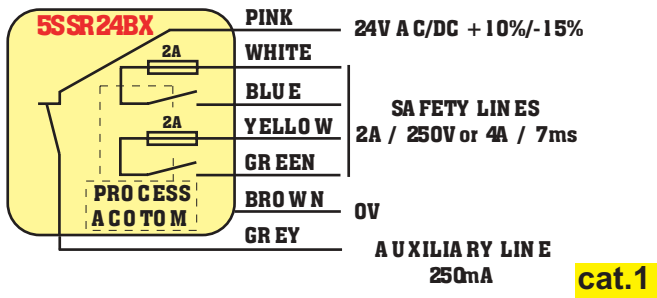
- Switching distance/hysteresis/misalignment: 10 /+2 /±10 (mm)
- Red LED indicating the code absence
- Mounting brackets and moulded cable
- Connector M12 (only 5SSR24BX/INOX/MKT)
- Housing in stainless steel 316 L
- Waterproof IP67/Temperature -20°C to +60°C
- Ideal for hard environment and for hygiene requirement

SAFETY CATEGORY

- 5SSR24BX/OX : category 1
- 5SSR24BX/OX in serie + safety module : category 3 (category 4 if wired alone with safety module)

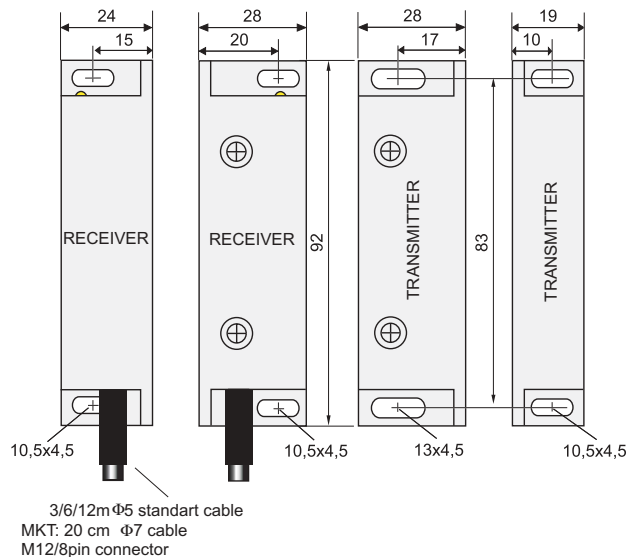


WIRING DIAGRAM

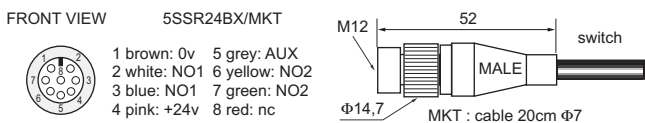


cat.1

DIMENSIONS



PIN DETAILS FOR MKT CONNECTOR



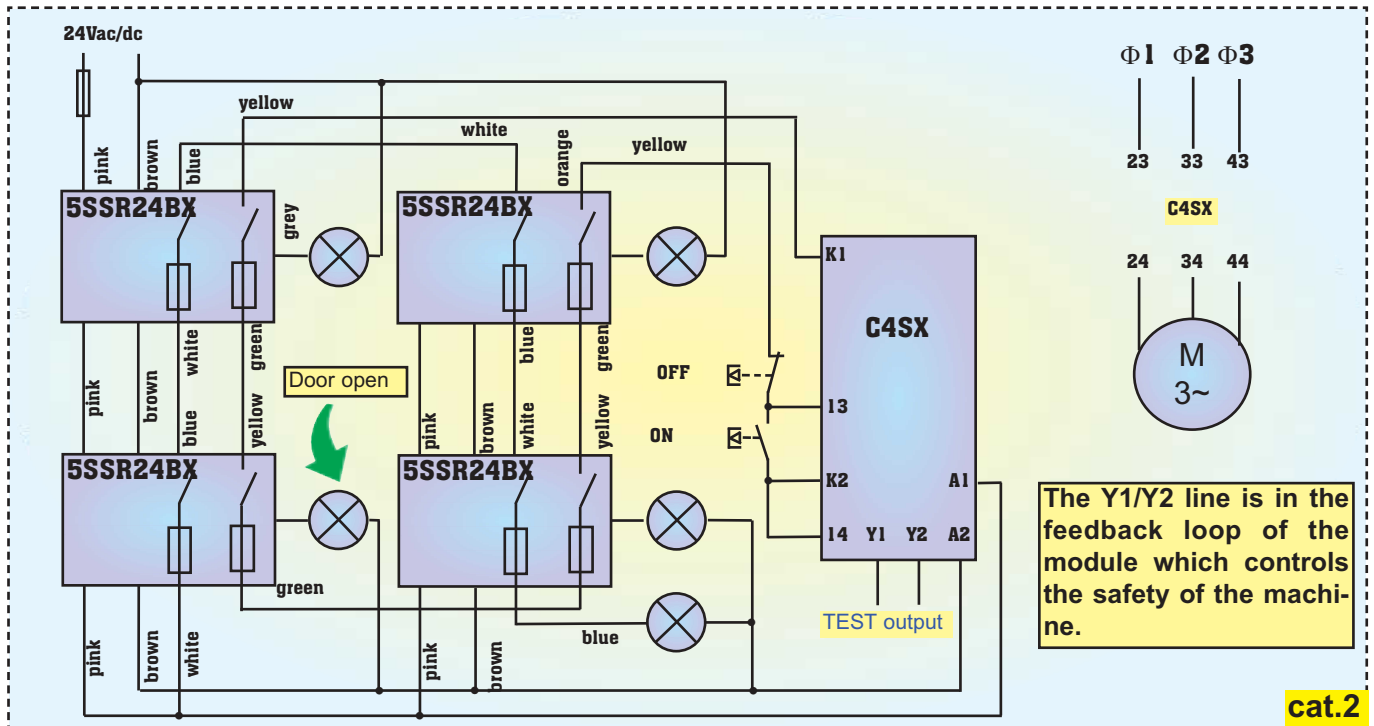
- FRONT VIEW 5SSR24BX/MKT
- 1 brown: 0v
 - 2 white: NO1
 - 3 blue: NO1
 - 4 pink: +24v
 - 5 grey: AUX
 - 6 yellow: NO2
 - 7 green: NO2
 - 8 red: nc

Note : The green-yellow contact is closed in case of power supply lack.

APPLICATION

- A better alternative to replace all mechanical switches with more tolerance to misalignment. It's uncheatable thanks to the ACOTOM coding system and resistant to chemicals and corrosion.
- Ideal for machines with strong vibration.

DIAGRAMS



The FURTIF switches such as 2,3,4 and 5SSR have dry contacts and a switching capacity of 250 Vac/2A max.

The FURTIF AMX series have dry contacts with a switching capacity of 48Vac/2A max.

Our tests in overvoltage guarantee an extraordinary life expectancy of 3 000 000 operations when a Furtif switch supplies contactors of 3A in-rush current.

