

ANATOM78S SRM M12 WITH Awax safety module

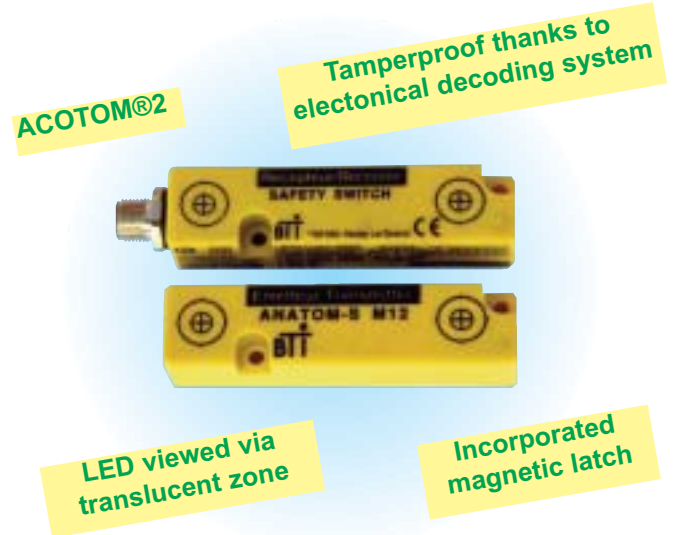
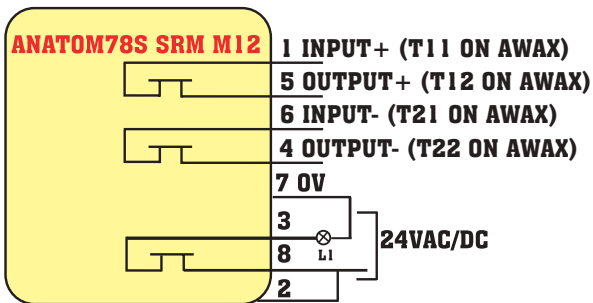
CODED NON-CONTACT SAFETY SWITCH WITH MAGNETIC LATCH FOR THE CONTROL OF MACHINE GUARDS

- Acotom2 decoding process
- Power supply: 24Vac/dc -15%/+10% or T11/T21 of AWAX
- Switching distance/hysteresis : 8 /3 mm
- Auxiliary contact : NC PNP(supply)/250mA
- Protection class IP67
- Temperature -20°C to +60°C
- Response time: 500µs

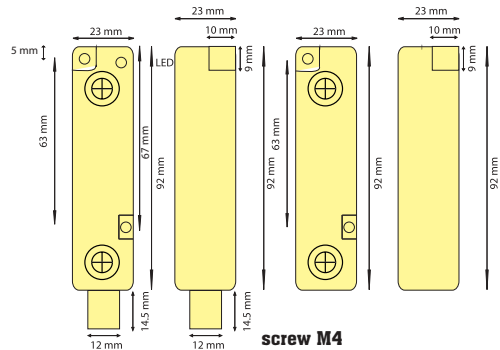
SAFETY CATEGORY

ANATOM78S SRM M12 : EN60947-5-3
ANATOM78S SRM M12 sur Awax : category 4
ANATOM78S SRM M12 in series with Awax : category 3

WIRING DIAGRAM



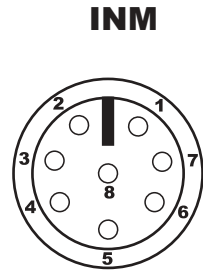
DIMENSIONS



PIN DETAILS

- Male input connector:
- 1 white T11
 - 2 brown 24V
 - 3 green AUX NC
 - 4 yellow T21
 - 5 grey T12
 - 6 pink T22
 - 7 blue 0V
 - 8 red AUX NC

Accessory:
 FKT M12 with
 2 , 5 or 10m cable



ADVICE

Ideal for quick wiring in series.