

ANATOM M18

WITH Awax safety module

NON-CONTACT AND CODED ELECTRONIC SWITCH FOR THE POSITION CONTROL

- Cylinder style M18
- Decoding by Acotom2 process
- Misalignment : $\pm 30^\circ$ in rotating movement
- Detection distance/ hysteresis : 6 /+2 (mm)
- Auxiliary output for automation control or lights
- Metal housing CuNi
- Robust M12 connector in metal
- Protection class IP67
- Temperature range from -20°C to $+60^\circ\text{C}$
- Unlimited life expectancy (unlimited number of operations)

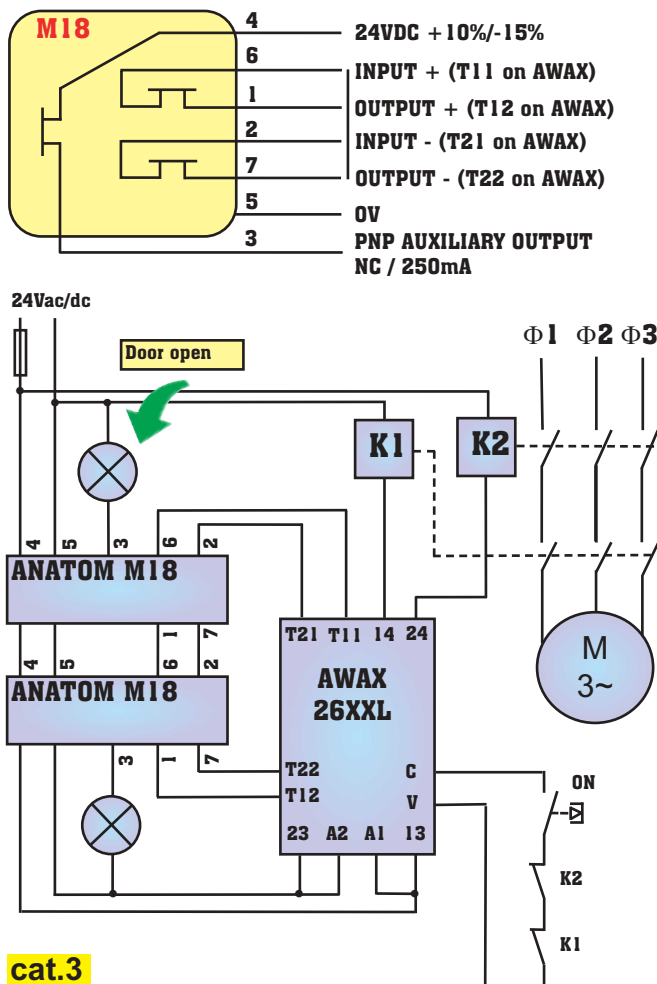
SAFETY CATEGORY

ANATOM M18 : EN60947-5-3

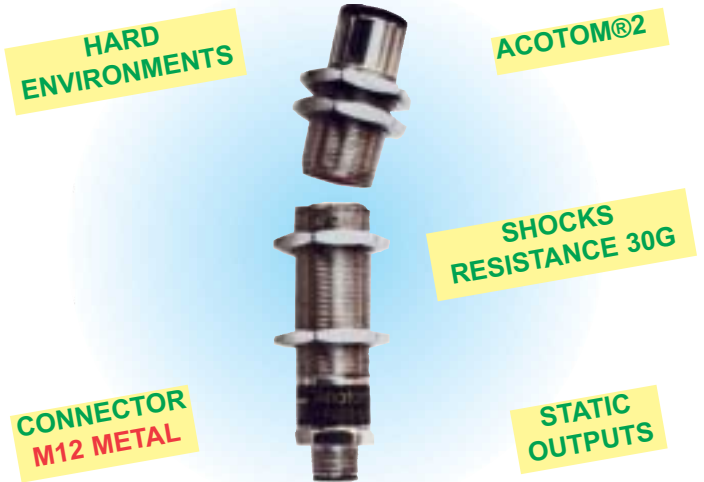
ANATOM M18 with Awax : category 4

ANATOM M18 in series with Awax : category 3

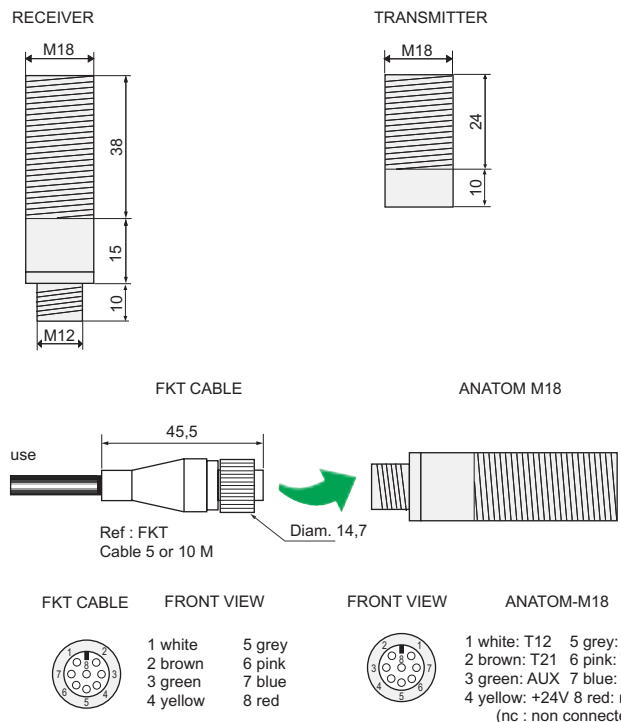
WIRING DIAGRAM



cat.3



DIMENSIONS



ADVICE

Up to 30 switches with one AWAX safety module. Robust switch in metal housing. Quick mounting thanks to the connector. Adapted to strong vibrations and high speed machines.