

THE AWAX MODULES

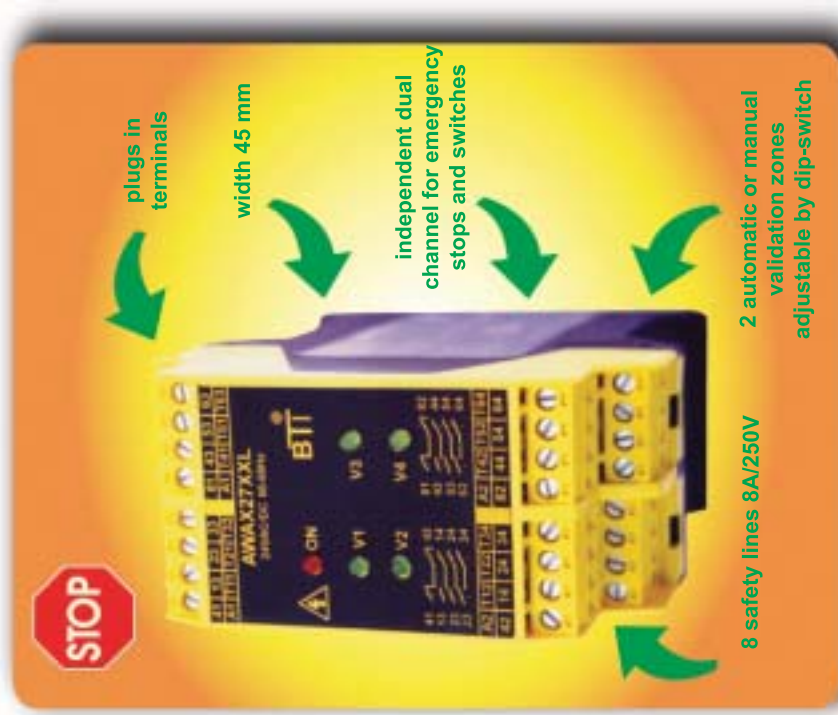
AWAX26XXL

Small but strong



AWAX27XXL

The management of the emergency stops and access in category 4 with only one module



AWAX 26XXL AND AWAX 27XXL

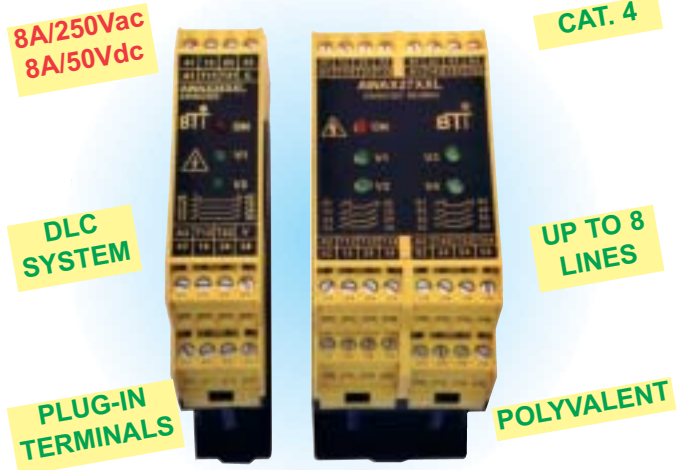
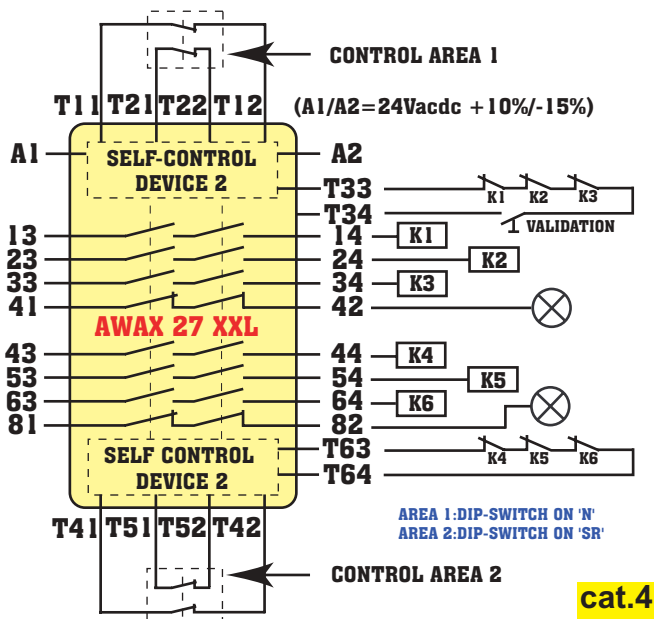
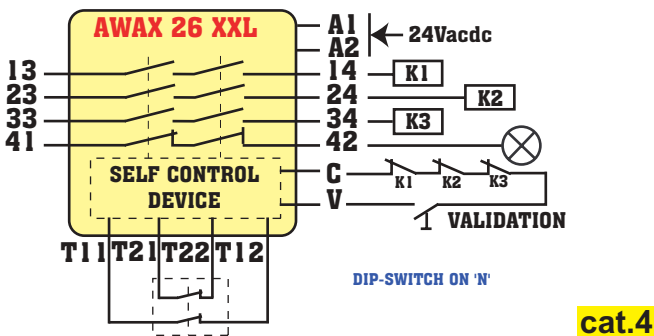
MULTI-FUNCTION MODULES

- Low consumption inputs
- Control of switches with Acotomâ process
- Control of mechanical safety systems (grip switch, foot switch...)
- Dip switch to choose reset mode (automatic/manual)
- DLC system
- Dual area control (Awax27XXL)
- Power supply 24Vac/dc
- 22,5 mm or 45 mm housing
- Plug-in terminals

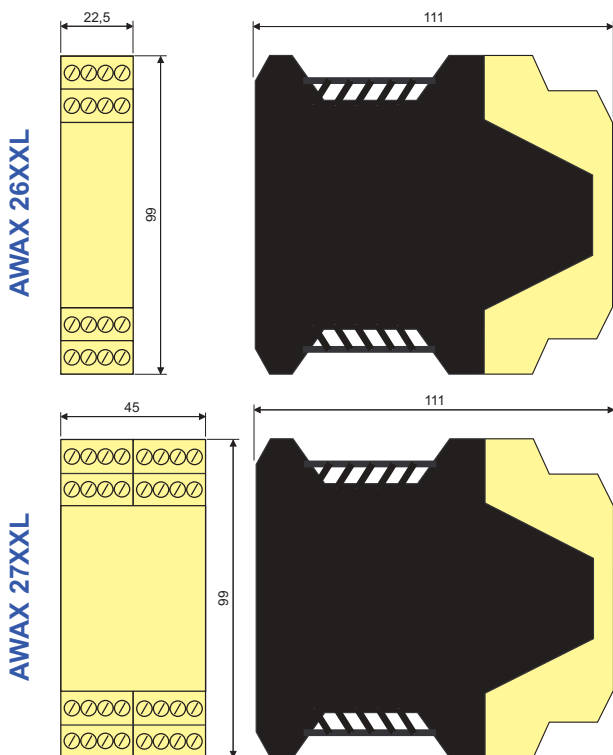
SAFETY CATEGORY

AWAX26XXL : category 4 according to EN 954-1
AWAX27XXL : category 4 according to EN 954-1
EN 292, EN 418, EN 1088, EN 60204-1

WIRING DIAGRAM



DIMENSIONS



ADVICE

These safety modules are able to control up to 30 switches when there is an external power supply.

AWAX 45XXL2

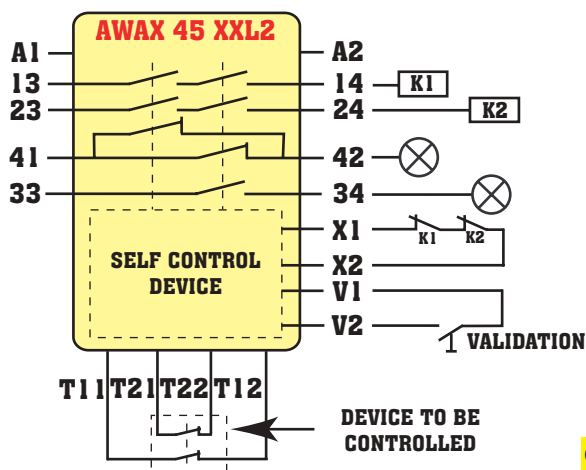
MULTI-FUNCTION MODULE WITH 85/265V POWER SUPPLY

- Low consumption input
- Control of switches with Acotom process
- Control of mechanical switches
- DLC system
- Plug-in terminals
- Dip switch to choose the reset mode (automatic/manual)
- 85~265Vac power supply
- 67.5 mm housing

SAFETY CATEGORY

AWAX45XXL2 : category 4 according to EN 954-1
EN 292, EN 418, EN 1088, EN 60204-1

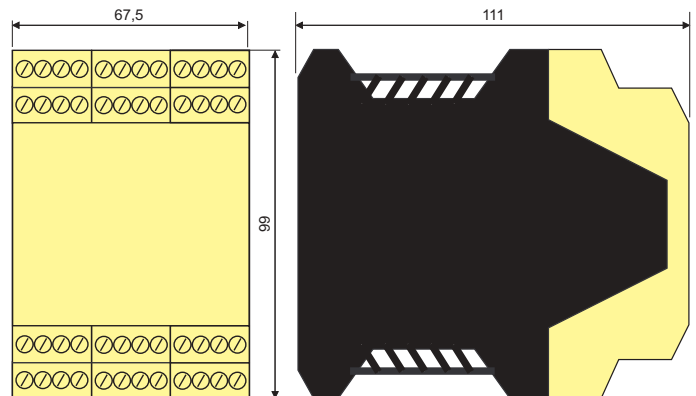
WIRING DIAGRAM



cat.4



DIMENSIONS



ADVICE

This module can control up to 30 safety switches with an external supply.