

EPINUS

WITH Awax safety module

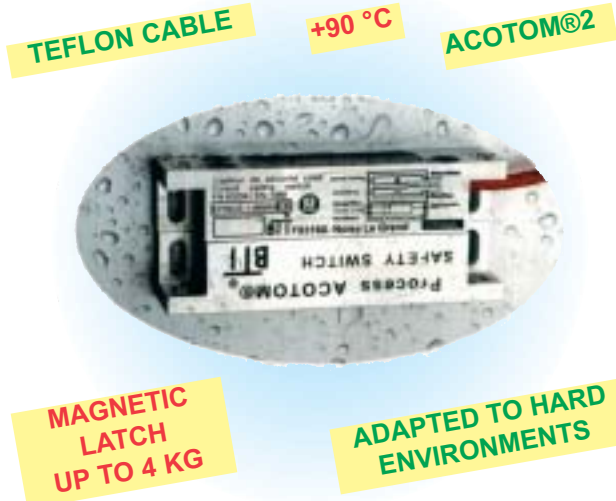
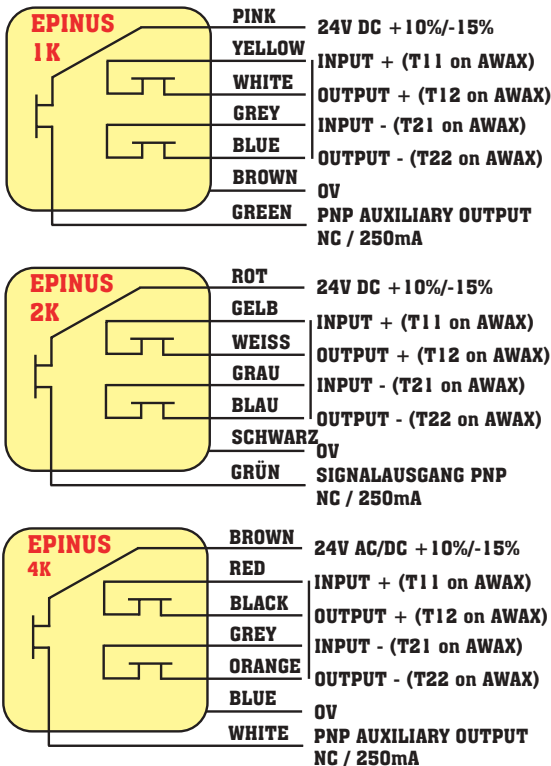
CODED SWITCH WITH INTEGRATED MAGNETIC LATCH FOR MOVING GUARDS OF DANGEROUS MACHINES

- Magnetic latch 1, 2, or 4 Kg
- Decoding by Acotom®2 process
- Auxiliary output for automation control or lights
- Polycarbonate housing (EPINUS 1K)
- Stainless steel housing 316L (EPINUS 2K, 4K)
- Laser marking (on stainless steel housing)
- Protection class IP69K (EPINUS 2K and 4K)
- Temperature -20°C to +60°C (EPINUS 1K, 4K)
- Temperature -20°C to +90°C (EPINUS 2K)

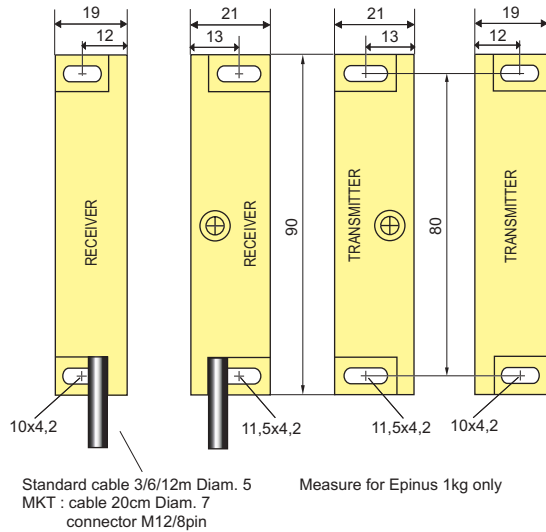
SAFETY CATEGORY

EPINUS : EN60947-5-1/2/3
 1 EPINUS with Awax : category 4
 EPINUS in series with Awax : category 3

WIRING DIAGRAM



DIMENSIONS (VERSIONS 1K AND 2K)



EPINUS 4K : see dimensions p.29

ADVICE

Designed to keep doors or moving protectors magnetically closed even while vibrating. Thanks to solid state contacts, the long life expectancy is improved.