

OPTOPUS DEC

WITH Awax safety module

NON-CONTACT AND CODED ELECTRONIC SWITCH FOR THE POSITION CONTROL

- Suited for small access area
- Decoding by Acotom®2 process
- Misalignment : ±3 mm up/down and left/right
- Detection distance/hysteresis : 5 /+2 (mm)
- LED indicating the switch condition
- Mounting brackets and moulded cable
- Polycarbonate housing
- Protection class IP67
- Temperature -20°C to +60°C
- Unlimited life expectancy (unlimited number of operations)

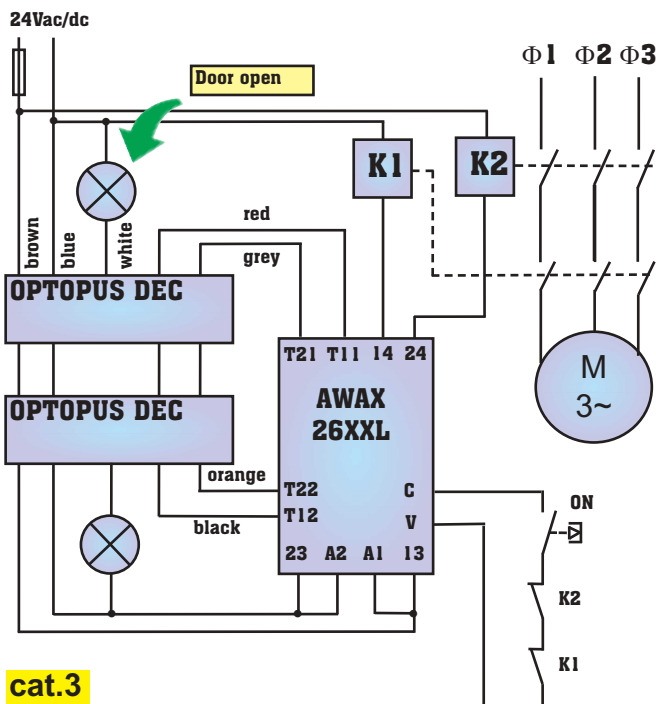
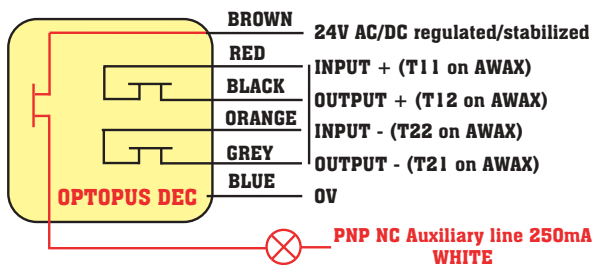
SAFETY CATEGORY

OPTOPUS : EN60947-5-3

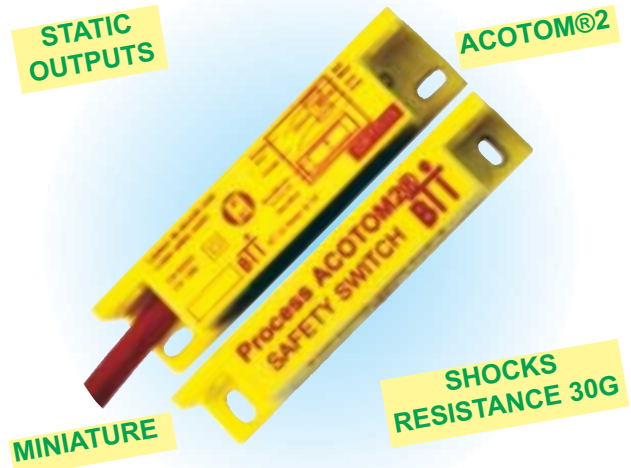
1 OPTOPUS with Awax : category 4

OPTOPUS in series with Awax : category 3

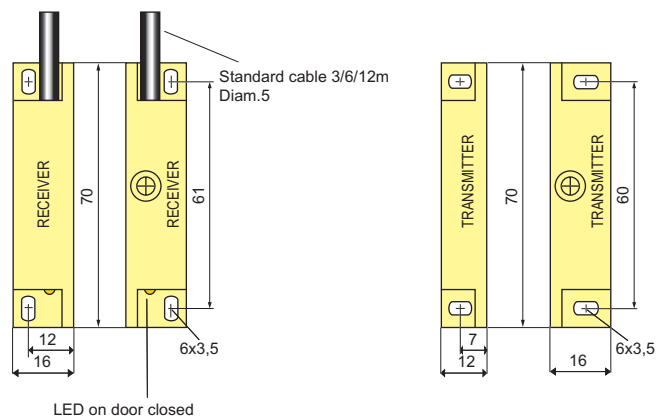
WIRING DIAGRAM



cat.3



DIMENSIONS



ADVICE

Suited for trap doors and manholes. Up to 30 switches in series with only one AWAX safety module..

OPTOPUSC M8

WITH Awax safety module

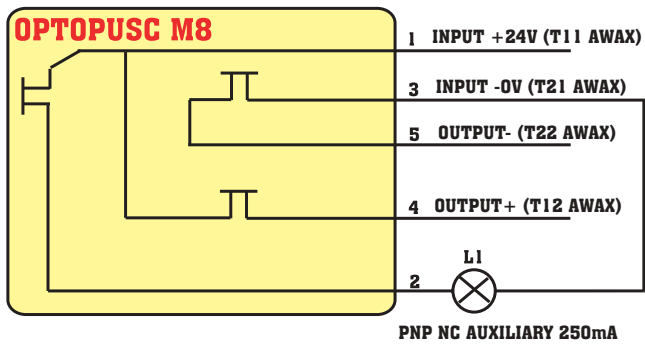
CODED NON-CONTACT SAFETY SWITCH FOR THE MOVING GUARDS OF DANGEROUS MACHINES

- Acotom®2 decoding process
- Power supply: 24Vdc -15%/+10% or T11/T21 on AWAX safety module
- Switching distance/hysteresis : 7 /2 mm
- Safety contacts: 2NO 24Vdc/400mA
- Auxiliary contact: 1 PNP 24Vdc /250mA
- Protection class: IP67
- Temperature -20°C to +60°C
- Response time: 500µs

SAFETY CATEGORY

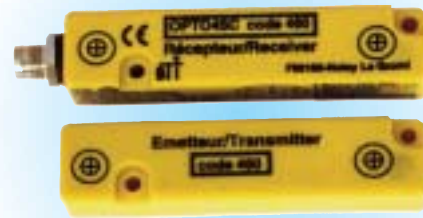
- optopusc M8 : EN60947-5-3
- optopusc M8 with Awax : category 4
- optopusc M8 in series with Awax : category 2

WIRING DIAGRAM



ACOTOM®2

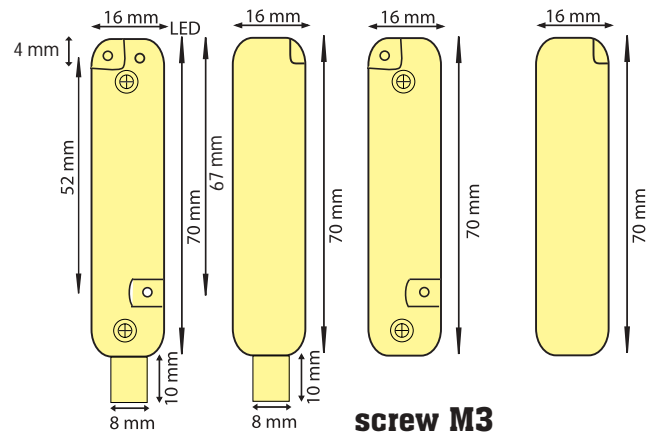
CONNECTION 4 OR 5 WIRES



LED viewed via translucent zone

Miniature range

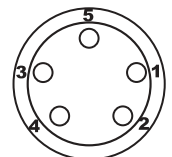
DIMENSIONS



PIN DETAILS

- Male input connector :
- 1 brown 24V (T11)
 - 2 white AUX PNP NC
 - 3 blue 0V (T21)
 - 4 black PNP (T12)
 - 5 grey NPN (T22)

INM



ADVICE

Ideal solution for quick and easy wiring in series for tiny access on machine.