

CALRAD

10 Series - Wireless Microphones

10-120

WIRELESS MICROPHONE RECEIVER

This professional receiver is designed with the latest wireless technology. The low drop-out-free RF is excellent under adverse conditions. Audio performance is comparable to more expensive systems. It has "TRUE DIVERSITY" reception for excellent RF performance.

Specifications:

Operational Frequencies available*VHF 169-216 MHz	Image Rejection..... Better than 60 dB
Working Range..... Up to 300' under average conditions	Reception Sensitivity..... Better than 15dB uv
Distortion..... Less than 1% (+/-15 KHz dev.)	Reception Selectivity..... +/-60 KHz
Frequency Response 40Hz-15KHz (+/-3dB)	Audio Output adjustment .Min-30 dB, center 0dB, max +6dB
Dynamic Range Better than 100dB	Audio Output Impedance 2.2Kohms unbalanced
Signal to Noise Ratio Better than 95dB	Power Requirements..... 12 Vdc-300mA
Noise Reduction 2:1 Logarithmic compressor/expander	Size..... (mm) 280 W X 120 D X 37 H
Oscillator/Modulator..... Crystal controlled/Fm	Weight..... 29 oz. (830 grams)
Color..... Black	



*25 separate frequencies available.

CH	MHz	TV	CH	MHz	TV	CH	MHz	TV	CH	MHz	TV
A1	169.505	NONE	B5	177.650	7	D2	188.200	9	E3	196.800	10
A3	171.045	NONE	C1	181.400	8	D3	190.600	9	E4	197.325	10
A4*	171.905	NONE	C2	184.025	8	D4	191.300	9	E5	193.825	10
B1	175.400	7	C3	185.125	8	D5	189.325	9	E6	195.975	10
B2	178.225	7	C4	181.850	8	D6	190.075	9			
B3	179.200	7	C5	182.550	8	E1	194.400	10			
B4	176.425	7	D1	187.800	9	E2	195.425	10			

*171.905MHz is the default frequency.

10-127

WIRELESS MICROPHONE SYSTEM

This professional quality VHF microphone system has a range of over 250 feet. With two switchable frequencies for the cleanest sound at an affordable price. Has clip on microphone. Ideal for camcorder use. A monitor earphone is included.

Specifications:

TRANSMITTER		RECEIVER	
Switchable Frequencies... F1-169.445 MHz + F2-170.245 MHz	Reception system . Double superheterodyne system	Frequencies..... F1 169.445 MHz + F2 170.245 MHz	Sensitivity 2uV at S/N 40dB
Sensitivity..... 94dB SPL at +/- 2.5KHz deviation	Power supply one 9 volt battery (not included)	Power supply one 9 volt battery (not included)	Power consumption..... 25mA
Power consumption..... 30 mA	Dimensions..... 86 x 60 x 21.5 mm	Monitor output..... voltage: 1v (load 30 Ω)	modfreq: 1 KHz<dev +/- 7 KHz
Dimensions..... 86 x 60 x 21.5 mm	Weight..... 98 grams	Microphone output voltage: 8mV (load 10K Ω)	impedance 300 Ω
Weight..... 98 grams	Microphone..... Electret condenser	Dimensions 86 x 60 x 21.5 mm	Weight..... 128 grams (including battery)
Color..... Black		Weight..... 128 grams (including battery)	Accessories supplied Earphone



10-131 WIRELESS TRANSMITTER

This wireless transmitter has a clip on lapel microphone ideal for many uses. This microphone has a range of over 200 feet. It has two switchable frequencies for the clearest signal available. For use with the 10-120 receiver. Unit shipped with default frequency of 171.905 MHz. See page 1 for frequency chart..

Specifications:

Operational Frequencies available..... 169 - 216 MHz	Dimensions 86 x 60 x 21.5 mm
Sensitivity 94dB SPL @ +/- 2.5KHz deviation	Weight..... 4 oz. (112 grams)
Power supply..... one 9 volt battery (not included)	Microphone..... Omni Directional
Power consumption..... 30mA	RF output power 30mW (50mW max.)
Color..... Black	



10 Series - Wireless & Shotgun Microphones

10-130 WIRELESS MICROPHONE

This is a quality microphone for use with the 10-120 receiver. It delivers a 200 foot range for use with videography and public speaking. Its clean crystal controlled output is equal to more expensive systems. Unit shipped with default frequency of 171.905 MHz. See page 1 for frequency chart.

Specifications:

Operational Frequencies available..... 169 - 216 MHz	Weight..... 7.5 oz. (213 grams)
Sensitivity..... 94dB SPL at +/- 2.5 KHz deviation	Microphone..... unidirectional-dynamic
Power supply..... one 1.5v AA battery (not included)	RF output power..... 10Mw (50Mw max.)
Power consumption..... 30mA	Color..... Black



10-126 WIRELESS MICROPHONE SYSTEM

This handheld microphone is ideal for videographers and public speaking. The VHF system has two switchable frequencies for selecting the cleanest sound and delivers a crystal clear sound range of more than 200 feet. The transmitter is built into the handle of the microphone with no wires extending out of the base. The receiver has a cord terminated by a 3.5mm plug.

Specifications:

TRANSMITTER		RECEIVER	
Frequencies..... F1 - 169.445 MHz + F2 - 170.245 MHz	Frequencies..... F1 - 169.445 MHz + F2 - 170.245 MHz		
Sensitivity..... 94dB spl ± 2.5KHz dev	Sensitivity..... 2µV at S/N 40dB		
Microphone..... unidirectional-dynamic	Reception system..... double superheterodyne		
Power supply..... one 1.5v AA battery (not included)	Power supply..... one 9v battery (not included)		
Power consumption..... 100mA	Power consumption..... 25mA		
Weight..... 170 grams (including battery)	Weight..... 128 grams (including battery)		
Battery Life..... 6-8 hours (alkaline battery)	Battery Life..... 6-8 hours (alkaline battery)		
Color..... Black	Color..... Black		



10-17 SHOTGUN MICROPHONE

This is a high quality sound locating shotgun microphone. It is equipped with a high quality internal amplifier and earbud type earphones. Can be easily mounted on camcorders, binoculars, or hand-held. It has an adjustable volume control for clear output. The supercardioid pattern is designed for medium range frequencies to isolate and pickup human voices at directional short distances.

Specifications:

Microphone..... Electret Condenser	Weight..... 65 grams (incl. battery & earphones)
Pattern..... Unidirectional Supercardioid	Earphones..... Inner-ear Type Stereo -32 Ω
Output Level..... 5m watts MA at earphone	Measurements..... 238 (L) X 30 (H) X 17 (W)
Acoustic Gain..... 50dB	Accessories..... Earbud Headphones, Mounting Hardware, and Directional Tube, Thread Adapter
Frequency Response..... 200-15 KHz	Windscreen Color..... Black
Power Source..... 1 AAA Battery Included	Microphone Color..... Black
Battery Life..... 100 hours (continuous operation)	



10-17VM CAMCORDER ADAPTER

This adapter is used to interface the 10-17 Shotgun Microphone to any camcorder with an external microphone clip. The adapter easily slides in, with a finger adjustable locking knob. Color is black.



CALRAD

10 Series - Shotgun Microphones

New Item

10-14 SUPER CARDIOID SHOTGUN MIC

New Style, Super Cardioid and Unidirectional combo microphone for long range pickup. Selector switch allows mic to switch between shotgun and unidirectional modes. Condenser type Back Electret Technique with I.C. Preamplification. Impedance — 600 ohm — comes complete with 25 ft XLR female to 1/4" mono male cable, 3.5mm male to 1/4" mono female Adapter, Wind Screen, Case, Microphone Holder and Video Camera Hotshoe.

Specifications:

Super Cardioid

Type:..... Condenser
 Frequency Response:..... 80Hz-13KHz
 Sensitivity:..... 50dB +/- 3dB
 Impedance:..... 600W +/-25%
 Directional Polar Response:.... Super Cardioid
 Min. Actual Load Impedance:.. 2.3KW
 Power Supply:..... "AA" 1.5Vdc batteries (not included)
 Connector:..... XLR-3 Pin
 Cable:..... XLR Female to 1/4" Mono Male 25ft.
 Case:..... Plastic Leather Case
 Microphone Holder:..... Slip-in Type with 5/8" 27 Threads
 Weight:..... 190 Grams
 Color:..... Black

Unidirectional

Type:..... Condenser
 Frequency Response:..... 60Hz-18KHz
 Sensitivity:..... 66dB +/- 3dB
 Impedance:..... 600W +/-25%
 Directional Polar Response:.... Unidirectional Cardioid
 Min. Actual Load Impedance:.. 2.3KW

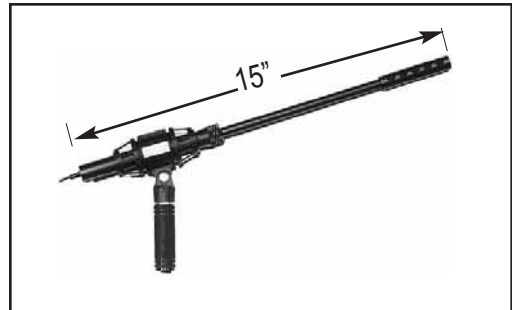


10-10 SUPER CARDIOID SHOTGUN MIC

Super directive use. Can pick up objective sound clearly—even in noisy environments. Shakeproof holder acts as a vibration damping mechanism and helps eliminate unwanted mechanical and motor noises. Impedance—600 ohm (1 KHz). Complete with Case and Wind Screen. 3.5 mm plug.

Specifications:

Type..... Electret Condenser Microphone	Frequency Range	50 Hz-10 KHz
Directivity	Super Directional	Std. Working Voltage..... 1.5V (DC)
Sensitivity	-60 db (1 KHz 0 dB = 1V/u Bar)	Current Drain
Output Impedance	600Ω (1 KHz)	1 mA Max
Battery type Size "AA" Penlite Cell (1.5Vdc) (included)	S/N Ratio.....	40 dB or more (1 KHz, JISA-curve)
	Color.....	Black

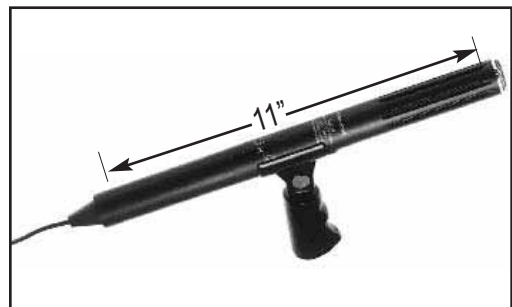


10-15 SUPER CARDIOID SHOTGUN MIC

This microphone is for Super-Directive use with high sensitivity and extremely low noise. It can pick up clearly and naturally the object's sound even in noisy environment of both short and long distance. The 10-15 microphone is designed primarily for operational efficiency and well suited to outdoor sports broadcast, stage, video and movies. Can be hand held, stand mounted or mounted on video or movie equipment. Terminated to a 3.5mm plug.

Specifications:

Type	Super Cardioid Electret Condenser	Output Impedance.....	For short distance: 520Ω
System	Uni-directional system for long and short distance (Switchable)		For long distance: 2.3 KΩ
Sensitivity: For short distance: -66 dB (1 V/u bar 1 KHz)		Sound Pressure Level	120 dB Max
For long distance: -56 dB (1 V/u bar 1 KHz)		Signal to Noise Ratio	40 dB or More
Frequency Response:	80 Hz-12,000 Hz	Cable.....	coiled with 3.5 mm plug
Power Source 1.5Vdc, AA Size Battery (not included)		Accessories	Wind Screen and Mic Holder
		Color	Black



CALRAD

10 Series - Microphones

10-18B PROFESSIONAL DYNAMIC MICROPHONE

Outstanding quality, balanced line, extra wide range, uni-directional cardioid pattern, designed to meet the most demanding types of use, such as rock groups, recording sessions, entertainers, and public address work. Distinctively finished in black. Complete with wind screen, microphone holder.

Specifications:

Element.....	Dynamic	Output impedance	Low Z
Frequency Response.....	80-16,000 Hz	Cable.....	15 ft. Balanced line
Polar Pattern	Uni-directional	Cable end.....	1/4" Phone plug
Output Level	-74 dB at 1 Microbar	Color	Black



10-16 PROFESSIONAL DYNAMIC MICROPHONE

Superior sound quality, extremely wide range. Cardioid pattern used by many entertainers for vocal and recording work, lightweight yet rugged for most everyday types of microphone needs. Complete with on/off/standby switching, microphone holder.

Specifications:

Element.....	Dynamic	Output impedance	Low Z
Frequency Response.....	80-16,000 Hz	Cable.....	15 ft. Balanced line
Polar Pattern	Uni-directional	Cable end.....	1/4" Phone plug
Output Level	-74 dB at 1 Microbar	Color	Black



10-6A, 10-7A ELECTRET CONDENSER MICROPHONES

Specially designed to meet most everyday microphone needs. High quality, low cost, lightweight, small in size. Can be hand held or stand mounted. Complete with on/off switch, wind-screen and mic holder. Terminated to a 1/4" plug.

Specifications:

Output Level.....	± 3 dB at 1 KHz (10-6A)	Power Supply....	AA Type 1.5 Battery (Included)
	± 3 dB at 1 KHz (10-7A)	Current Consumption.....	250 µA ± 50 µA
Frequency Response.....	50-14,000 (10-6A)	Cable	15 ft. 2-Conductor Shielded
	50-13,000 (10-7A)	Amplifier.....	FET Impedance Converter
Polar Pattern	Uni-directional (10-6A)	Cable end.....	Both have 1/4" Phone plug
	Omni-direction (10-7A)	Microphone Color	Black
Impedance	600Ω	Windscreen Color	Black

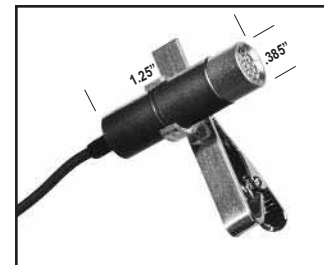


10-91 MINIATURE TIE CLASP MICROPHONE

10-91-BAT replacement battery for 10-91 microphone
 Extra small, only 3/8" diameter. Excellent voice quality makes this new tie clasp microphone very versatile. Great for interviews, P.A., radio and T.V. network use, where free use of hands is necessary. Complete with battery, wind screen, tie clip, terminated to a 3.5 mm plug. 10 ft. cord.

Specifications:

Type	Electret Condenser Microphone	Impedance	600Ω at 1,000 Hz
Frequency Response	50 Hz-10 KHz	Package.....	Blister (Hanger Type)
Sensitivity	-60 dB ± 3 dB	Power Supply	1.5V Button Cell (included) LR41
Length.....	1 1/4"	Polar Pattern	Omni-Directional

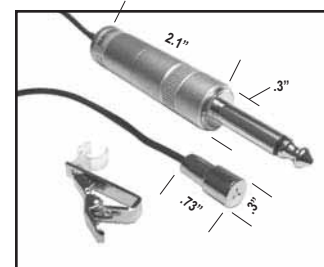


10-90 MICROPHONE

10-90-BAT replacement battery for 10-90 microphone.

Specifications:

Polar Pattern.....	Omni-Directional	Impedance	600Ω at 1 KHz
Frequency Response	50-64 dB / 50-16,000 Hz	Power Supply	1.5V LR-44 A-type / 1.5V UM-3 B-type
Sensitivity	-64 dB / 01 KHz	Cable	6m (20 feet)
Sound Noise Level	Max. 130 dB		



CALRAD

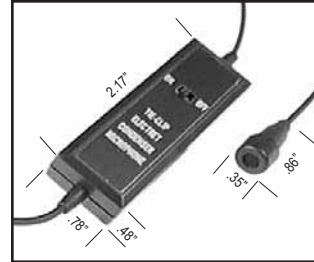
10 Series - Microphones

10-11 MINIATURE ELECTRET CONDENSER MICROPHONE

Designed for all microphone uses. Excellent quality at a low cost for voice, public address use. 15 ft. cable is terminated with a right angle 3.5 mm plug. ON/OFF switch on clip.

Specifications:

Type.....	Electret Condenser	Impedance.....	1 K Ω
Frequency Response.....	50-18 KHz	Power Supply..	1.5 volt Button Cell (included) LR44
Sensitivity.....	-65dB (0dB=1v/u bar)	Accessories	Battery, Tie Clasp, Wind Screen
Polar Pattern.....	Omni-Directional	Adapter.....	3.5 mm to 1/4" included
Power Supply Size...	2.17" L x .78" W x .48" H	Color.....	Black
Microphone Size86" L x .35" W		

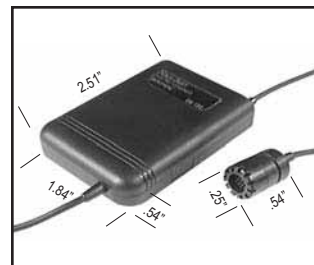


10-12 MINIATURE ELECTRET CONDENSER MICROPHONE

This microphone is designed for all uses. ON/OFF switch enclosed on the beltclip for easy use. Designed for quality at a low cost. 15 ft. cable is terminated with a 3.5 mm plug.

Specifications:

Type.....	Electret Condenser	Impedance.....	1K Ω (at 1KHz)
Frequency Response.....	50-18KHz	Power Supply...	1.5 volt AAA battery (included)
Sensitivity.....	-65 dB at 1000Hz	Accessories.....	3.5mm to 1/4" adapter, Battery, Tie Clasp, Wind Screen
Polar Pattern.....	Omni-Directional	Color.....	Black
Power Supply Size.	2.51" L x 1.84" W x .54" H	Cord to Mic Length	38"
Microphone Size25" L x .54" W		



10-20 DUAL IMPEDANCE DYNAMIC MICROPHONE

Features a uni-directional element, built-in pop, noise filter and a 20 ft. cable terminated to a 1/4" phone plug (with holder).

Specifications:

Frequency Response.....	80-12 KHz	Sensitivity.....	50K Ω -54 dB \pm 3 dB at 1 KHz
Cable end.....	1/4" Phone plug	Sensitivity	500 Ω -72 dB \pm 3 dB
Color	Black	Dual Impedance.....	600 Ω / 50 K



10-22 ECONOMY DYNAMIC MICROPHONE

This uni-directional dynamic microphone has a 10 ft. cable terminated to a 1/4" phone plug. A wind screen is built into the wire mesh ball head to prevent hiss, pop, and wind noise.

Specifications:

Impedance.....	500 Ω	Sensitivity	-72 dB \pm 3 dB at 1 KHz
Frequency Response	80-12 kHz	Color.....	Black



10-29 CASSETTE TYPE MICROPHONE

Universal microphone for use with most cassette recorders. 200 ohm low impedance type, with stand, two individual pin plugs (2.5 mm and 3.5 mm), and on/off switch. 3.5mm is for microphone, 2.5mm is for switch.



10 Series - Microphones & Accessories

10-82 LOW IMPEDANCE OMNIDIRECTIONAL MICROPHONE

Low impedance, 500 ohm mic with 5 ft. retractable cable terminated with 3 wires plus shield. Push-to-talk switching. Excellent with CB, ham and general communications use. Individually packaged for hanging clip.

Specifications:

Frequency Response 300 Hz-5 kHz
ColorBlack



10-3 GOOSENECK PAGING MICROPHONE

Uni-directional 18" gooseneck microphone with XLR male socket with push On/Off talk button. Low-Z (600 ohms), sensitivity: 80dB ± 3dB, frequency response: 60-12KHz.

Color: Black.



10-50 MICROPHONE RETRACTABLE COIL CORD

Excellent for CB, Ham or general replacement use. 3 conductors plus 1 shield. 5 ft. extended / 2 ft. retracted.



10-19 DESKTOP MICROPHONE BASE

Push On/Off talk switch with red L.E.D. indicator, requires 2 AAA batteries. Female XLR mic input to male XLR output. Sturdy weighted base. Color is black.

New Item

30-590 chrome

30-590-BK black

Female XLR desktop mount in black or chrome, used for quick release style gooseneck mics. Removable solder type female XLR. Mounts with 3 screws included.

Base diameter. 1.75", height 2".



MULTI-COLOR WINDSCREEN SETS

Decorative, multiple color, special soft foam provides quick and easy identification, avoiding mixups. Blocks out hiss, pop, and wind noise (packaged for display racks).



10-9

2³/₄" High Screen Universal Type— Fits slim models from 3/4" to 1¹/₈". (1 per pkg.). Black.



10-53

Wind screen for a 1³/₄" to 2" diameter microphones. (sennheiser style) 1 per pkg. Black.



10-67

2¹/₂" high wind screens to fit 1³/₈" to 1³/₄" diameter microphones. 1 per pkg., specify color.

10-67-BK...Black

10-67-GN...Green

10-67-RD...Red

10-67-YL...Yellow



10-68

Wind screen for spherical head microphones 1⁵/₈" High to fit over 1³/₄" to 2" microphones. 1 per pkg., specify color.

10-68-BK..Black

10-68-BU....Blue

10-68-GN..Green

10-68-OR..Orange

10-68-RD....Red

10-68-YL .Yellow



10-69

Contains four 7/8" High screens to fit 1/4" to 1/2" microphone. Designed to fit lavalier type microphones. 1 each Black, Green, Red, Yellow, . Also available separately.

10-69-BK ..Black

10-69-GN .Green

10-69-RD....Red

10-69-YL .Yellow

CALRAD

10 Series - Isolation & Line Matching Transformers

10-76 DUAL IMPEDANCE LINE MATCHING TRANSFORMER

Comes with built-in High/Low switch. No wiring necessary. 1/4" Male phone plug switchable input between 600 ohm/50K to 600 ohm XLR female output.



10-86 DUAL IMPEDANCE LINE MATCHING TRANSFORMER

Comes with built-in High/Low switch. No wiring necessary. 1/4" Male phone plug switchable input between 600 ohm/50K to 600 ohm XLR male output with 6 inch cable.



10-77 DUAL IMPEDANCE LINE MATCHING TRANSFORMER

Comes with built-in High/Low switch. No wiring necessary. 1/4" Female phone jack 600 ohm input to 1/4" male phone plug 50K output with 6 inch cable.



10-87 DUAL IMPEDANCE LINE MATCHING TRANSFORMER

Comes with High/Low switch built in. No wiring necessary. 1/4" Female phone jack switchable input between 600ohm/50K to 600 ohm XLR female output.



10-78 TELCO & MULTIMEDIA GROUND ISOLATION TRANSFORMER

Audio isolation transformer. 600 ohm to 600 ohm. Helps prevent ground loop problems. Used for computer and telephone applications. Male to female mono 3.5mm connectors. Over all length 10".



10-88 DUAL IMPEDANCE LINE MATCHING TRANSFORMER

Comes with High/Low switch built in. No wiring necessary. XLR Male switchable input between 600 ohm/50K to 600 ohm XLR female output.



10-78-RCA ANALOG & DIGITAL GROUND ISOLATION TRANSFORMER

Provides protection from ground loops. Used for standard low level analog and digital audio signals. Bandwidth up to 50KHz. 1:1 transformer. One RCA jack to one RCA plug. Over all length 10", two pieces required for stereo use



10-89 DUAL IMPEDANCE LINE MATCHING TRANSFORMER

Comes with High/Low switch built in. No wiring necessary. 1/4" Female phone jack switchable input between 600 ohm/50K to 600 ohm XLR male output.



10-79 DUAL IMPEDANCE LINE MATCHING TRANSFORMER

Comes with built in High/Low switch. No wiring necessary. 1/4" Male phone plug switchable input 600 ohm/50K to 600 ohm XLR male output.



10-99 DUAL IMPEDANCE LINE MATCHING TRANSFORMER

Comes with High/Low switch built in. No wiring necessary. 1/4" Male phone plug switchable input between 600 ohm/50K to 600 ohm XLR female output with 9 inch cable.



10 Series - Microphone Adapter Cables

10-140-5 5 ft. long
10-140-10 10 ft. long
10-140-15 15 ft. long
 Female XLR to 1/4" mono plug.
 Black PVC jacketed cable, shielded.
 Above wired: Pin 1 & 3 - ground / Pin 2 - hot



10-148-3 3 ft. long
10-148-6 6 ft. long
10-148-10 10 ft. long
10-148-15 15 ft. long
 Female XLR to 1/4" stereo plug.
 Black PVC jacketed Cable, shielded.
 Above wired: Pin 1-ground / Pin 2-tip / Pin 3-ring



10-141-5 5 ft. long
10-141-10 10 ft. long
10-141-15 15 ft. long
 Male XLR to 1/4" mono plug.
 Black PVC jacketed cable, shielded.
 Above wired: Pin 1 & 3 - ground / Pin 2 - hot



10-149-3 3 ft. long
10-149-6 6 ft. long
10-149-10 10 ft. long
10-149-15 15 ft. long
 Male XLR to 1/4" stereo plug.
 Black PVC jacketed cable, shielded.
 Above wired: Pin 1-ground / Pin 2-tip / Pin 3-ring



10-142-5 5 ft. long
10-142-10 10 ft. long
10-142-15 15 ft. long
 Female XLR to RCA male plug.
 Black PVC jacketed cable, shielded.
 Above wired: Pin 1 & 3 - ground / Pin 2 - hot



10-150
 XLR "Y" cable, one male to two females.
 Black PVC jacketed cable, shielded.
 Above wired Pin to Pin.
 Cable length: 3 inches
10-150A New Item
 High quality 8mm "OFC" version of 10-150
 cable length: 6.5 inches



10-143-5 5 ft. long
10-143-10 10 ft. long
10-143-15 15 ft. long
 Male XLR to RCA male plug.
 Black PVC jacketed cable, shielded.
 Above wired: Pin 1 & 3 - ground / Pin 2 - hot



10-151
 XLR "Y" cable, one female to two males.
 Black PVC jacketed cable, shielded.
 Above wired Pin to Pin.
 Cable length is 3 inches
10-151A New Item
 High Quality 8mm "OFC" version of 10-151
 Cable length: 6.5 inches

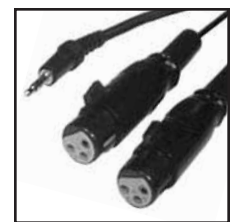


10-144
 Female XLR to 3.5mm mono plug, 6 ft. long.
10-145 6 ft. long
10-145-1 1 ft. long
10-145RT-1 1 ft. long (right angle plug)
 Female XLR to 3.5mm stereo plug.
 Black PVC jacketed cable, shielded.
 Above wired: Pin 1 & 3 - ground / Pin 2 - hot



10-152
 XLR "Y" cable, two 3-pin XLR females to a 3.5 mm stereo plug. 6 ft. long.
 Black PVC jacketed cable, shielded.
 Above wired Pin to Pin.

3.5mm male	XLR Female
Tip	> Pin 2
Ring	> Pin 3
Sleeve	> Pin 1



10-146
 Male XLR to 3.5mm **mono** plug, 6 ft. long.
 Black PVC jacketed cable, shielded.
 Above wired: Pin 1 & 3 - ground / Pin 2 - hot



10-153-1
 Female XLR to two RCA male plugs.
 Y cable, 1 ft. long. Uses flat style black PVC jacketed cable, shielded.
 Above wired: Pin 1-ground
 Pin 2-tip (hot) RCA plug
 Pin 3-tip (hot) RCA plug



10-147
 Male XLR to 3.5mm **stereo** plug, 6 ft. long.
 Black PVC jacketed cable, shielded.
 Above wired:
 3.5mm tip to XLR pin 2
 3.5mm sleeve and ring to XLR Pin 1 & 3 - ground

See page 51 for 35 series barrel type XLR adapters.

CALRAD

10 Series - Microphone & Adapter Cables

10-154-1

One female XLR to two RCA female inline jacks. Y cable, 1 ft. long. Uses flat style black PVC jacketed cable, shielded.
Above wired: Pin 1-ground
Pin 2-tip (hot) RCA jack
Pin 3-tip (hot) RCA jack



10-155-1

Male XLR to two RCA male plugs. Y cable, 1 ft. long. Uses flat style black PVC jacketed cable, shielded.
Above wired: Pin 1-ground
Pin 2-tip (hot) RCA plug
Pin 3-tip (hot) RCA plug



10-156-1

Male XLR to two RCA female inline jacks. Y cable, 1 ft. long. Uses flat style black PVC jacketed cable, shielded.
Above wired: Pin 1-ground
Pin 2-tip (hot) RCA jack
Pin 3-tip (hot) RCA jack



10-157-1

3.5mm stereo **right angle** plug to two XLR female inline jacks. Y cable, 1 ft. long. Uses flat style black PVC jacketed cable, shielded.
Above wired:
#1 XLR: Pin 1 & 3-ground (sleeve)
Pin 2-tip (hot) of 3.5 mm plug.
#2 XLR: Pin 1 & 3-ground (sleeve)
Pin 2-ring of 3.5 mm plug.



10-158-6

3.5mm stereo **straight** plug to two XLR male plugs. Y cable, 6 ft. long. Uses flat style black PVC jacketed cable, shielded.
Above wired:
#1 XLR: Pin 1 & 3-ground (sleeve)
Pin 2-tip (hot) of 3.5 mm plug.
#2 XLR: Pin 1 & 3-ground (sleeve)
Pin 2-ring of 3.5 mm plug.



10-45 MICROPHONE CABLE

Professional Series, 3-wire balanced line with Female XLR type connector on one end, 1/4" male mono plug on the other end. Uses shielded, black rubber jacketed cable.
10-45-20..... 20 ft.
10-45-25..... 25 ft.



New Item

10-161 MIG HIGH QUALITY 1/4" MONO MALE TO FEMALE XLR MICROPHONE CABLES

Designed for most audio applications, Calrad's new MIG (mic, instrument & guitar) cable is constructed with 95% "OFC" braided copper with 22 gauge center conductors. High Density filler surrounds the conductors thereby reducing noise and strengthening tensile range. A special non-conductive epoxy is applied to the connection, then covered with heat shrink tubing. These cables are both durable and offer superior service.

10-161-10.....10 ft.
10-161-25.....25 ft.



PROFESSIONAL MICROPHONE EXTENSION CABLES

Male to female XLR connectors, low loss. Cable with black rubber jacket, 22 gauge 2 conductor, shielded. Custom lengths available upon request.

New Item

10-95-1..... 1 ft.
10-95-1.5.....1.5 ft.
10-95-2.....2 ft.
10-95-3.....3 ft.
10-95-6.....6 ft.
10-95-10.....10 ft.
10-95-15.....15 ft.
10-95-20.....20 ft.
10-95-25.....25 ft.
10-95-50.....50 ft.
10-95-100.....100 ft.
10-95B-250.....250 ft. bulk cable
no connectors



New Item

10-160 MIG HIGH QUALITY XLR MALE TO FEMALE MICROPHONE CABLES

Designed for most audio applications, Calrad's new MIG (mic, instrument & guitar) cable is constructed with 95% "OFC" braided copper with 22 gauge center conductors. High Density filler surrounds the conductors thereby reducing noise and strengthening tensile range. A special non-conductive epoxy is applied to the connection, then covered with heat shrink tubing. These cables are both durable and offer superior service.

10-160-10.....10 ft.
10-160-15.....15 ft.
10-160-25.....25 ft.
10-160-50.....50 ft.
10-160-100.....100 ft.



PROFESSIONAL MICROPHONE EXTENSION CABLES

Female to female XLR Cable using low-loss shielded, heavy gauge rubber jacketed cable. Color is black.

10-96-10..... 10 ft.
10-96-15.....15 ft.
10-96-20.....20 ft.
10-96-25.....25 ft.



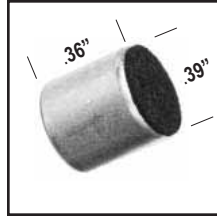
10 Series - Microphone Accessories

ELECTRET CONDENSER MICROPHONE ELEMENTS

Miniature in size, excellent quality. Working voltage range from 2-10 Vdc. Output impedance is Low-Z.

10-83 ($\frac{3}{16}$ " dia.) 2 pin,
P.C. Mount plus Case Tab.

10-84 ($\frac{3}{16}$ " dia.) 3 pin,
P.C. Mount plus Case Tab. Balanced line



10-49 MICROPHONE ELEMENT

$\frac{15}{16}$ " dia., $\frac{7}{16}$ " deep, Hi-quality dynamic element, ferrite magnet. Impedance 500 ohm. Frequency Response—50-15,000 cps.



10-36 MICROPHONE GOOSENECKS

$\frac{5}{8}$ " - 27 connecting thread, male to female on ends.

CHROME

10-36-6..... 6 inches

10-36-13..... 13 inches

10-36-19..... 19 inches

BLACK

10-36-6-BK..... 6 inches

10-36-13-BK..... 13 inches

10-36-19-BK..... 19 inches



10-59 MICROPHONE ATTACHMENT

Fits any floor stand with $\frac{5}{8}$ " - 27 top end thread. Accepts 3-microphone holders with $\frac{5}{8}$ " - 27 connecting thread. Microphone spacing is 2 $\frac{1}{2}$ ".

10-59A HOLDS 5 MICS

Microphone spacing is 2 $\frac{1}{2}$ ".



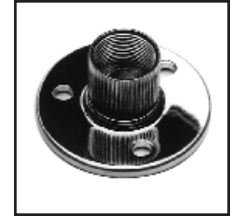
10-34 GOOSENECK BASE

Surface mounting, die cast base, fits most gooseneck types with $\frac{5}{8}$ " threads. Base has MALE threads. 1.75" base diameter.



10-35 GOOSENECK BASE

Surface mounting, die cast base, fits most gooseneck types with $\frac{5}{8}$ " threads. Base has FEMALE threads. 1.75" base diameter.



10-54 DESK MICROPHONE STAND

Mike stand with $\frac{5}{8}$ " - 27 thread. Black metal base 4" diameter, rod length is 3" from top of base.



10-55 DESK MICROPHONE STAND

A beautiful modernistic desk stand. "U" shaped base finished in black. Supplied with a polished chrome upright tube, threaded $\frac{5}{8}$ "-27 at both ends. Can be used with the other mic accessories.



10-56 DESK MICROPHONE STAND

Sturdy, lightweight, skidproof folding legs for portability. Accepts most microphone holders with $\frac{5}{8}$ " - 27 threads. Stand spread 7". Individually packaged for display racks.



10-65 HIGH TENSION MICROPHONE CLAMP

Used to clamp microphones to tables or fits standard mic stands $\frac{5}{8}$ " 3 rubber pads on the inside of the jaw provides a strong protective grip. The Jaw opens to 2.5". Color: black



10-58 VIDEO CAMERA MICROPHONE "Hot Shoe" Attachment

For attaching microphone to video camera, movie camera, etc. Has knurled locking knob to hold tightly.



CALRAD

10 Series - Microphone & Audio Accessories

10-74 UNIVERSAL MICROPHONE HOLDER

Universal type microphone holder, fits almost all microphones. Fits $\frac{3}{4}$ " diameter microphones.



10-60 UNIVERSAL CLAMP-TYPE MICROPHONE HOLDER

Adjustable holder with brass insert. Holds microphones $\frac{5}{8}$ "- $1\frac{3}{8}$ " in diameter.



10-97 MICROPHONE CLIP HOLDER (Tie Clip)

Fits $\frac{7}{32}$ " diameter microphones.



SLIDE-IN MICROPHONE STAND HOLDERS

Made of high impact black plastic. Tapered design. Fits standard mike stand $\frac{5}{8}$ " x 27.

- 10-61A..... fits $\frac{7}{8}$ " dia. mics
- 10-63A..... fits 1" dia. mics
- 10-64A..... fits $1\frac{1}{4}$ " dia. mics



10-31 10-32 10-33

10-31 MICROPHONE STAND

10-31-BK Black Version
Polished chrome plated or black finish with round black base.

10-32 MICROPHONE STAND

Polished chrome plated finish stem with $\frac{3}{8}$ " - 16 thread connector and a detachable $\frac{5}{8}$ " - 27 screw adapter for microphone holder. 3 leg base with tubular legs. Legs braced with non-skid rubber tips. Weight: 5 lbs. Height: collapsed - 35", extended - 64".

10-33 MICROPHONE STAND

Polished chrome plated finish stem with $\frac{3}{8}$ " - 16 thread connector and a detachable $\frac{5}{8}$ " - 27 screw adapter for microphone holder. Heavy duty, compact, extra high elevation adjustment. 3 leg base with foldable tubular legs. Boom sets accessories included with stand for greater adjustment and versatility. Weight: 7 lbs., Height: collapsed - 33", extended - 63".

10-115 STEREO HEADPHONE AMPLIFIER

2 inputs with individual volume controls. 200mW output at 8 ohms. Line input: 1V/47K. RCA input jacks, 3.5mm output jack. AC adapter 12Vdc, 200mA included. Black shielded metal chassis.

Size: 4.3"(W) x 1.7"(H) x 3.4"(D).



10-75 STEREO LINE MIXER

Passive stereo line mixer for camcorders and Hi-Z line level signals. 2 Hi-Z line level stereo audio inputs to 1 stereo output with RCA jacks. Individual slide style volume controls.

Black shielded metal chassis.
Size: 5"(W) x 1.7"(H) x 3.4"(D).



CALRAD

10 Series - Audio Accessories

80-575-H HEADPHONE AMP 80-575-M MICROPHONE PRE-AMP

80-575-L LINE PRE-AMP 80-575-P PHONO PRE-AMP

Select from 4 standard stereo configurations. A few components are easily changed on the PC board for each preamp. The unit is available in a chassis, or completed circuit board with labeled black face plate. Includes DC power supply. Specify model and any specific specifications required for your application. Optional RCA Male to XLR Female adapter cable (Calrad part number 10-142-5)

Specifications:

Input/Output Jacks	RCA Type	Output Impedance.....	5K, Factory Adjusted
Power	9Vdc, 2.5mm Coax Jack	Gain.....	Adjustable
Input Impedance	Factory Adjusted	Frequency Response.....	20HZ - 20KHZ, +/- 3dB
Color	Black	Dimensions	4 3/4" (L) x 3" (W) x 1 1/2"(H)



10-105 STEREO INLINE VARIABLE AUDIO ATTENUATOR

This item can be inserted into any Hi-Z audio path, provides signal attenuation from 0db to full signal. Helps to balance audio signals from different pieces of equipment. Low profile design with easy to read volume control. RCA Male to female cables are provided for easy interfacing with equipment, this allows the unit to be hidden or exposed. Passive design requires no external power supply.

Specifications:

Frequency Response	20hz - 20KHz	Cable lengths input, output.....	15" each
Signal Level 0dB - Full input signal level (avg. 200-400mv)		Dimensions.....	3.1"(W) x 1.3"(H) x 1.1"(D)
Input Connectors: Male RCA plugs (left=white, right=red)		Color	Black
Output Connectors: Female RCA jacks (left=white, right=red)			

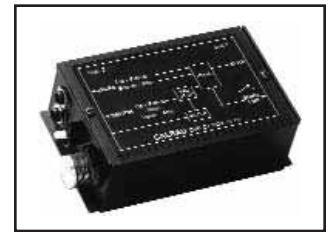


10-111 DIRECT BOX

Features: Single toggle switching for selecting either pick-up or amplifier setting. Feeds signal from your instrument or amplifier to a recording console or P.A. system. Hi "Z" output allows you to feed signal to your amp or speaker system for live monitoring. Also functions as a bi-directional transformer, to change from Hi Z to Low Z or Low Z to Hi Z Variable Filter with ground lift capabilities.

Specifications:

Input impedance.....	200K	Dimensions	4 3/4" x 3 1/8" x 1 5/8"
Line output impedance.....	1KΩ	Frequency.....	20-20KHz
Fixed pad	30 dB	Filter variable	High + Low pass
Color.....	Black		

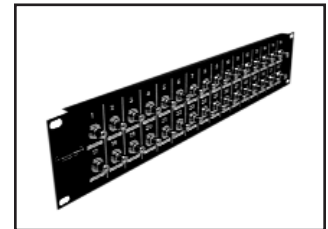


- 10-112-BLANK.....Blank Panel / 32 Point Patch Bay
- 10-112-RCA.....with RCA Jacks / 32 Point Patch Bay
- 10-112-BNC.....with BNC Jacks / 32 Point Patch Bay
- 10-112-I-BNC.....with ground isolated BNC Jacks / 32 Point Patch Bay

Professional audio series 32 point patch bay. The 10-112 combines high quality construction and optimum insertion of either **BNC, BNC isolated or RCA type connectors** (specify which type when ordering). Its' steel construction makes the 10-112 ideal for rack mounting in the toughest environments. The 10-112 comes with 32 labeled patch points.

Specifications:

Dimensions	19"(W) x 3.5"(H) x 1.35"(D)	Color.....	Black
------------------	-----------------------------	------------	-------



10-113 MICROPHONE SPLITTER

Splits input of a single microphone to two different outputs, both input and output signals may be used to provide separate isolated feeds to both a house and monitor system, P.A. recording system or similar application where double outputs are required.

Specifications:

Input impedance.....	600Ω	Dimensions.....	4 3/4" x 3 1/8" x 1 5/8"
Output impedance.....	600Ω	Frequency Response.....	20-20KHz
Color.....	Black		



CALRAD

10 Series - Audio Accessories

10-114

3 CHANNEL PASSIVE MIC MIXER (no power required)

This mixer is perfect for mixing 3 Low/High Z microphones to a single output. Each 1/4" input jack is numbered. Each volume control uses a different color knob for easy reference. The output of the unit is a 6 ft. cable with a 1/4" male plug. Sloped front panel for easy access and viewing. The plastic case color is black.

Size: 4.3"(W) x 2"(H) x 2.75"(D).



10-110 SPDIF* DIGITAL COAXIAL TO TOSLINK OPTICAL SIGNAL CONVERTER 10-119 TOSLINK OPTICAL TO SPDIF* DIGITAL COAXIAL SIGNAL CONVERTER

Designed to bridge the gap between home theater components with differing input/output formats. These small but important adapters convert digital signals from coax to optical or vice-versa, ensuring compatibility between TosLink/optical components and those with coax connections.

10-110 = RCA input to TosLink female output. 10-119 = Toslink Input to RCA female output

Size: 1.82"(W) x .88"(H) x 2.8"(L).

AC adapter included, 6Vdc 250ma.

*SPDIF=Sony Phillips Digital Interface Format.



Toslink

10-116 STEREO AUDIO-ANALOG TO DIGITAL CONVERTER

Converts stereo analog audio signals to a toslink fiber optic signal. Adjustable 44.1 - 48KHz sampling switch. RCA inputs to toslink and digital coax output. Requires 6Vdc power supply, included.

Size: 4.3"(W) x 2.1"(H) x 4.5"(D). Color is black.



Toslink

10-117 FIBER OPTIC AMPLIFIER

This unit minimizes optical signal loss when long cable runs are used to connect optical digital audio devices. Input signal delivery 5m, output signal delivery 20m. Vdc power supply included.

Size: 2.8"(L) x 1.82"(W) x .88"(H). Color is light gray.

Calrad offers a 50' fiber-optic cable for use with our Fiber-Optic amplifiers **55-502-50 FT**

For Toslink adapters and cables see pages 49, 99



Toslink

10-118 FOUR POSITION FIBER OPTIC SWITCHER

4 inputs to 1 output Toslink switcher with L.E.D. indicators. Provides easy selection of inputs by depressing 1 of 4 momentary selection buttons. Includes DC 9V/100mA power supply. S/N ratio: 98dB I/O wavelength: 660 ± 30nm. Maximum transmission velocity: 6Mb/s. Maximum transmission distance of optical signal: 10m

Size: 3.7"(W) x .98"(H) x 2.96"(D). Color: black.

For Toslink adapters and cables see pages 49, 99



Toslink

New Item

10-118-D Digital Coaxial (SPDIF) Version of 10-118

Digital version of the 10-118. All input and output connectors are gold RCA jacks with LED indicator lights. Signal transmission distance is 10 meters. Signal to Noise Ratio is 98dB. High Voltage of I/O signal is 0.8-1.2v, Low Voltage of I/O signal is 0-0.3v. Size: Same as 10-118, Color is black

SPDIF=Sony Phillips Digital Interface Format.



10-118-D