

## Rotary Operator - Through the Door Breaker Frame 1F (100A) 2F (200A) 4F (400A) 6F (600A)

### • Type H Extended Rotary Handle



- Externally operate the MCCB and can be applied to enclosures of varying depths.
- According to IP54 (NEMA 1, 12, 3R).  
-Dust Tight and Water Spray all directions.
- Standard length of shaft is 9.5" (241mm).

Cat. No.	List
CB-1F-H	\$48
CB-2F-H	\$48

Enclosure Min/Max Interior Dimension Depth 180-355mm (7.09-14") with standard shaft.

**Kit Includes**

- Rotary drive converter.
- Extension shaft 9.5" (241mm).
- External padlockable operator With defeatable feature IP54.

### • Type VA11 Extended Rotary Handle



- NEMA 1, 3R, 12, IP65.
- Externally operate the MCCB and can be applied to enclosures of varying depths.
- Standard length of shaft is 8" (203mm).

Minimum depth 8" from back plate to inside cover. Maximum depth with "standard" shaft (16") 408mm.

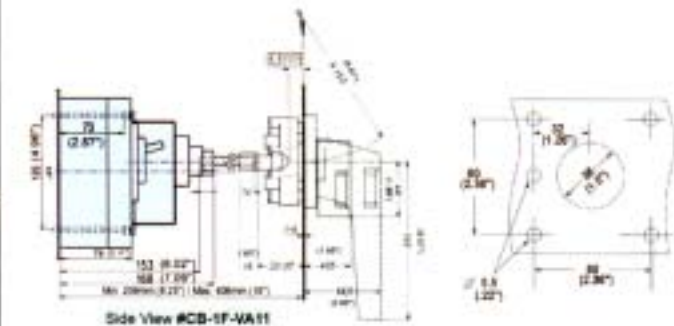
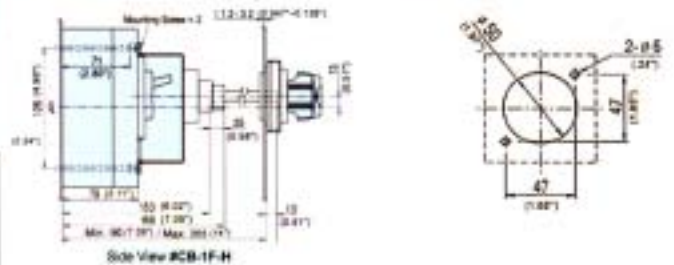
Cat. No.	List
CB-1F-VA11-R	\$88
CB-1F-VA11-B	
CB-2F-VA11-R	\$88
CB-2F-VA11-B	

"R" = Red / Yellow, "B" = Black / Grey

Cat. No.	List
CB-4F-VA11-R	\$280
CB-4F-VA11-B	

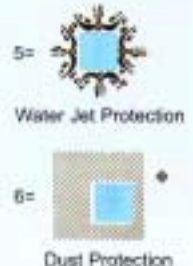
Cat. No.	List
CB-6F-VA11-R	\$280
CB-6F-VA11-B	

### • Dimensions (Approx.) mm(inch)



**IP65 Dust Tight -  
Hose Test Water Tight**

- Protected against dust.
- Protected against low pressure jets from all directions.



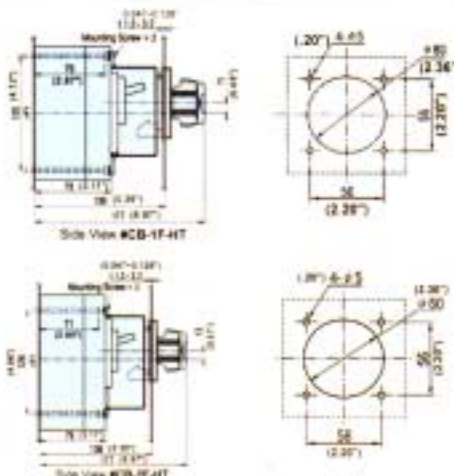
## Direct Rotary Handle Breaker Frame 1F (100A) 2F (200A)

### • Type HT Direct Rotary Handle



- Converts toggle type operation to rotary type.
- Padlockable Lockout feature.
- Direct mount to MCCB (no interlock).

Cat. No.	List
CB-1F-HT	\$45
CB-2F-HT	\$45



## Breaker Frame 4F (400A) 6F (600A)

### • Type HN Direct Rotary Handle

Cat. No.	List
CB-HN-70	\$156
CB-HN-80	\$156

use with  
CB-4S, 4L  
CB-4MCS

use with  
CB-6S, 6L  
CB-6MCS