

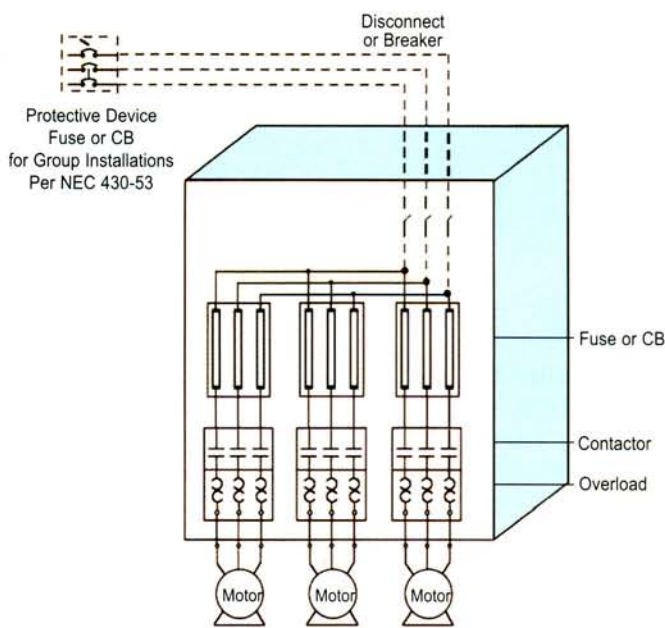
MCP'S Extended to 250Amp
PROVIDE BETTER SYSTEM PROTECTION!

Type CBC-H are designed to match the specific load:

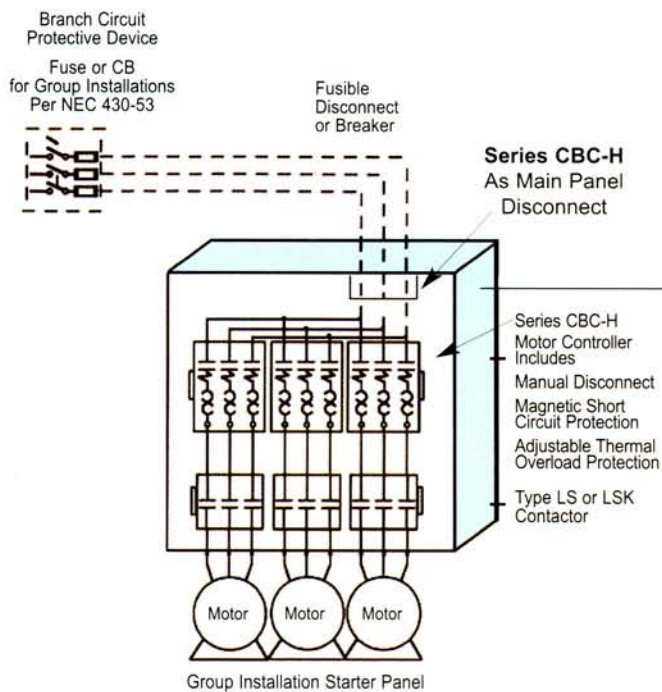
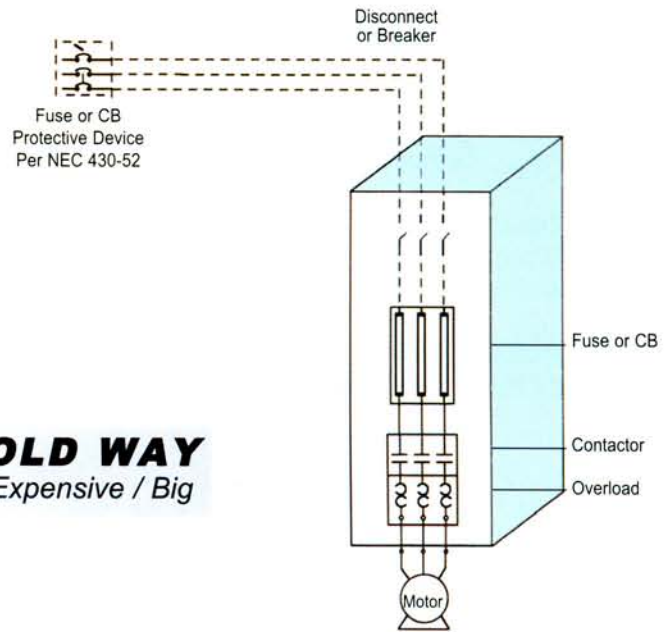
1. Adjust Magnetic Instantaneous Trip to match load.
(Current Limiting Design)
2. Adjust Thermal Trip to match specific load.

BENEFITS

- ✓ **SMALLER SIZE**
- ✓ **LOWER COST**
- ✓ **HIGHER INTERRUPTION CAPACITY**



OLD WAY
Expensive / Big



NEW WAY
Space Savings
Cost Savings

