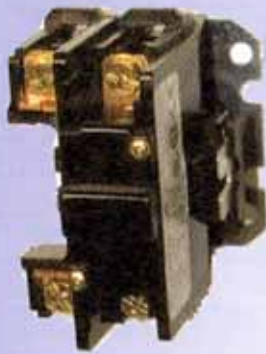


# DEFINITE PURPOSE CONTACTORS



1 Pole



2 Pole



3 Pole



Standard:  
with Boxlug and  
spade terminals  
(2 & 3 Pole)



Universal  
Mounting

## SIZES

30 Amp

40 Amp

50 Amp

75 Amp

100 Amp

HP Rated

Air Conditioning

Compressors

Refrigeration

Laundry

Heaters

HVAC

200,000 Electrical Operations  
2 Million Mechanical Operations

Coils: 80% to 105% rated voltage,  
65VA inrush, 7.5VA sealed

Ambient Temp. -40°F to +149°F

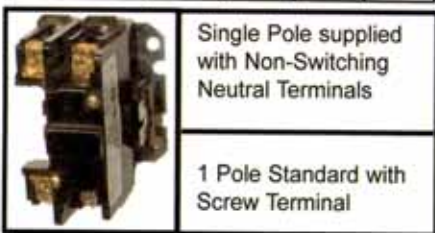
Minimum Contact rating 3Amp @  
120Volt AC

For Terms and Conditions of sale  
reference catalog IC-9 page 270.

# DEFINITE PURPOSE CONTACTORS 100A Max

Locked Rotor (Per Pole)			HP Single Phase		Full Load	Resistive	UL	Part #	List Price	List Price	List Price
AC 240V AC 277V	AC 480V	AC 600V	120V	240V	Amps	Amps		*Add coil suffix	1-10 pcs	11-50 pcs	100+ pcs
<b>1 Pole:</b>								<b>1 Pole</b>			
150	75	50	1	2	30	40		<b>T30A1-*</b>	\$17.00	\$15.00	\$12.00
240	200	160	2	3	40	50		<b>T40A1-*</b>	\$18.00	\$16.00	\$13.00
<b>2 Pole:</b>								<b>2 Pole:</b>			
150	125	100	2	3	30	40		<b>T30A2-*</b>	\$18.00	\$16.00	\$13.50
240	200	150	2	3	40	50		<b>T40A2-*</b>	\$19.00	\$17.00	\$14.50
<b>3 Pole:</b>								<b>3 Pole:</b>			
180	150	120	2	5	30	40		<b>T30A3-*</b>	\$24.00	\$22.00	\$18.00
240	200	160	3	7.5	40	50		<b>T40A3-*</b>	\$24.00	\$22.00	\$20.00
360	215	175	240V @		60A	75		<b>T60A3-*</b>	\$60.00	\$52.00	\$46.00
540	450	360	240V @		90A	100		<b>T90A3-*</b>	\$170.00	\$155.00	\$145.00

Part #	HP 3 Phase			
	208V	240V	480V	600V
<b>3 Pole</b>				
<b>T30A3-*</b>	10	10	15	20
<b>T40A3-*</b>	10	10	20	25
<b>T60A3-*</b>		20	30	30
<b>T90A3-*</b>		30	60	60



**60HZ AC Coil Suffix**

**\* Add to above part #**

Part # example: **T30A3-G** =  
30Amp + 24V coil

<b>Voltage</b>	<b>*Suffix</b>
24V	-G
120V	-A
208V	-B
240V	-C
277V	-H
480V	-E

**Spare Coil Part #**

**\*Add coil suffix letter to part #**

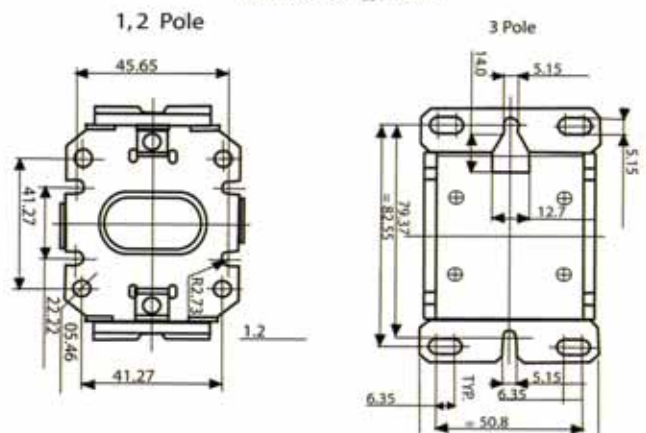
Part # example: **TA2-G** (24V coil)

Replacement Contactor:	Spare Coil Part #	List \$
2 pole	TA2-*	\$ 4.00
3 pole	TA3-*	\$ 4.50

**Auxiliary Contacts**

For use on Contactor	1N.O.+ 1N.C. Auxiliary	List Price	UL
T30A3, T40A3	Aux 11-DP	\$ 5.00	10A 600V
T60, T90	Aux-c11	\$ 5.00	UL Expected 2007

1, 2 Pole **Mounting Plate** 3 Pole T30, T40  
Millimeters ± 0.2mm



**30 Amp only**

Screw Terminal Option  
Add "-S" to part #  
Example: **T30A3-A-S**

**Contactor Dimensions**

Pole	Millimeters			Inches		
	H	W	D	H	W	D
1, 2	86	54	67	3.39	2.19	2.64
3, T30, T40	96	59	68	3.78	2.32	2.68
T60	115	67.5	79	4.53	2.66	3.11
T90	133	89	115	5.24	3.5	4.53