

SPECIFICATIONS

- Input voltage:	19.2 ... 28.8 V AC
- Frequency:	47-63 Hz
- Output voltage:	24 V DC adjustable from 21 to 29 V DC
- Output current:	See chart
- Ripple+Noise:	40 mV p-p (GSA SWC 03); 70 mV p-p (GSA SWC 04)
- Temperature rating:	0°C ... +60°C (SWC 03); 0°C ... +50°C (SWC 04)
- Enclosure protection:	IP 20 according to EN 60529
- Electrical protections:	Shot circuit protection (Autorecovery); Overload limited (Automatic Power limited)
- Crowbar (OVP):	36 V
- Isolation:	According to EN 60950
- Efficiency:	74% minimum
- Electromagnetic compatibility:	EN 55011 class B / EN 50082-2 / EN 61000-3-2
- Mounting:	DIN rail mounting



FEATURES

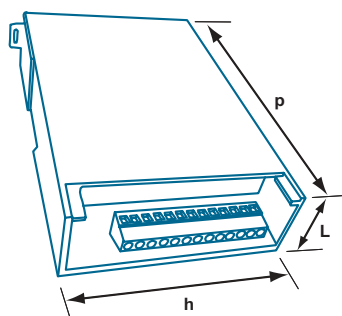
GSA SWC power supplies series are AC/DC converters available with 3 and 4.5 A output current. Input voltage ranging from 19.2 to 28.8 V AC are accepted giving tunable output voltage from 21 to 29 V DC. The DIN rail mounting assures easy installation.

HOW TO ORDER

Model	Code	V _{IN} AC [V]	V _{OUT} DC [V]	I _{OUT} [A]	Dimensions [mm]			Weight [Kg]
					L	h	p	
GSA SWC03	002183	24	24	3	40	97	142.5	0.6
GSA SWC04	002184	24	24	4.5	35	99	199	0.8

DIMENSIONS

SWC04



SWC03

