

SPECIFICATIONS

- Nominal input voltage:	3 x 400... 520 V AC
- Input voltage (absolute value):	3 x 360... 600 V AC
- Inrush current:	10 A @ 400 V
- Output voltage:	24 V DC tunable $\pm 10\%$
- Nominal current:	See chart
- Max. current:	1.1 time nominal current
- Consumption:	0,9 A (TOP 10); 1,5A (TOP 20); 2,1 A (TOP 30); 2,7 A (TOP 40); 3,3 A (TOP 50)
- Efficiency:	90%
- Ripple:	50 mV @ 100% of load
- Ripple+Noise:	100 mV @ 100% of load
- Insulating voltage:	3750 V AC according to EN 60950
- Ripple:	100 mV
- Operation temperature:	0°...+60°C
- Load regulation:	100 mV
- Electrical protections:	Permanent shrt circuit, overvoltage and overload protections
- Designed to meet:	EN 60950
- Enclosure protection:	IP 20 according to EN 60529
- Connection:	Screw connectors (removable)
- Mounting:	10...20 A DIN rail; 30...40 A panel mounting
- Electromagnetic compatibility:	EN 55011 classe A / EN 50082-2 / EN 61000-3-2



FEATURES

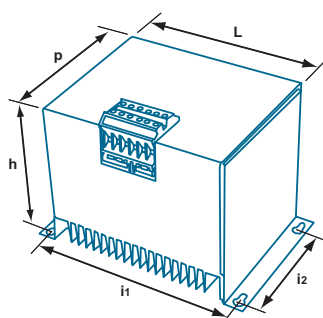
The new series of switching power supply called " GSA TOP " represents a valid and reliable solution to the requirements in power of the modern industrial groups. Characterized from a three phase input with absolute voltages up to 600VAC, it is offered with 24VDC output and five different output currents. Series GSA TOP meets the EN55011 cl. A and the EN 61000-3-2 requirements. The parallel operation and the connection of the negative to mass are allowed .

HOW TO ORDER

Model	Code	V_{IN-NOM} AC [V]	V_{OUT} DC [V]	I_{OUT} [A]	Dimensions [mm]					Weight [Kg]
					L	h	p	i_1	i_2	
GSA TOP 10	002260	3 x 400...500	24	10	230	95	135	-	-	2.1
GSA TOP 20	002270	3 x 400...500	24	20	230	113	135	-	-	2.3
GSA TOP 30	002275	3 x 400...500	24	30	294	195	181	275	152	3.6
GSA TOP 40	002280	3 x 400...500	24	40	294	195	181	275	152	3.6
GSA TOP 50	002285	3 x 400...500	24	50	294	195	181	275	152	3.6

DIMENSIONS

TOP 30/40/50



TOP 10/20

