

## Features

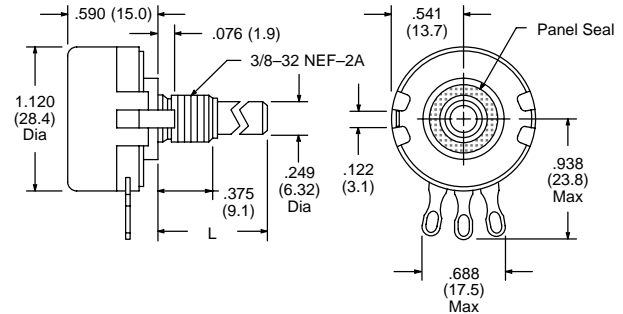
- Hot molded carbon element
- Gold plated terminals
- Stainless steel shaft and housing
- Meets or exceeds specifications of MIL-R-94 — QPL Listed



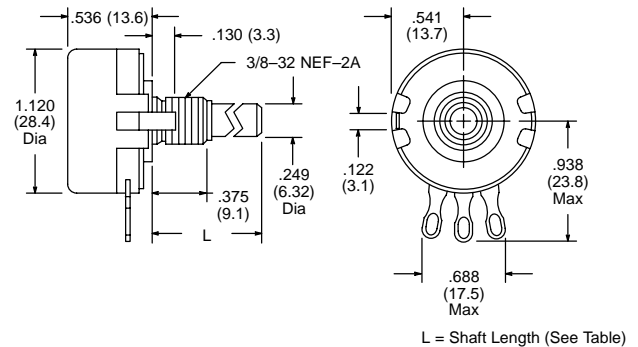
# PEC KU/RV4NAY Series

## Potentiometer – 2 Watt, 1/4" dia. shaft

### P1



### P2



NEW

NEW

PEC No.	NTE Part No.	Military No.	Value (Ohms)	Shaft Length	Diag No.
KU5001S28	501-0001	RV4NAYSD500A	50	7/8"	P1
KU1011S28	501-0002	RV4NAYSD101A	100	7/8"	P1
KU1511S28	501-0048	RV4NAYSD151A	150	7/8"	P1
KU2511S28	501-0003	RV4NAYSD251A	250	7/8"	P1
KU5011S28	501-0004	RV4NAYSD501A	500	7/8"	P1
KU1021S28	501-0005	RV4NAYSD102A	1K	7/8"	P1
KU2021S28	501-0006	RV4NAYSD202A	2K	7/8"	P1
KU2521S28	501-0007	RV4NAYSD252A	2.5K	7/8"	P1
KU3521S28	501-0008	RV4NAYSD352A	3.5K	7/8"	P1
KU5021S28	501-0009	RV4NAYSD502A	5K	7/8"	P1
KU1031S28	501-0010	RV4NAYSD103A	10K	7/8"	P1
KU2031S28	501-0011	RV4NAYSD203A	20K	7/8"	P1
KU2531S28	501-0012	RV4NAYSD253A	25K	7/8"	P1
KU3531S28	501-0013	RV4NAYSD353A	35K	7/8"	P1
KU5031S28	501-0014	RV4NAYSD503A	50K	7/8"	P1
KU1041S28	501-0015	RV4NAYSD104A	100K	7/8"	P1
KU1541S28	501-0049	RV4NAYSD154A	150K	7/8"	P1
KU2041S28	501-0016	RV4NAYSD204A	200K	7/8"	P1
KU2541S28	501-0017	RV4NAYSD254A	250K	7/8"	P1
KU5041S28	501-0018	RV4NAYSD504A	500K	7/8"	P1
KU1051S28	501-0019	RV4NAYSD105A	1M	7/8"	P1
KU5051S28	501-0020	RV4NAYSD505B	5M	7/8"	P1
KU5001S64	501-0030	RV4NAYSJ500A	50	2"	P2
KU1011S64	501-0031	RV4NAYSJ101A	100	2"	P2
KU2511S64	501-0032	RV4NAYSJ251A	250	2"	P2
KU5011S64	501-0033	RV4NAYSJ501A	500	2"	P2
KU1021S64	501-0034	RV4NAYSJ102A	1K	2"	P2
KU2021S64	501-0035	RV4NAYSJ202A	2K	2"	P2
KU2521S64	501-0036	RV4NAYSJ252A	2.5K	2"	P2
KU3521S64	501-0037	RV4NAYSJ352A	3.5K	2"	P2
KU5021S64	501-0038	RV4NAYSJ502A	5K	2"	P2
KU1031S64	501-0039	RV4NAYSJ103A	10K	2"	P2
KU2031S64	501-0040	RV4NAYSJ203A	20K	2"	P2
KU2531S64	501-0041	RV4NAYSJ253A	25K	2"	P2
KU5031S64	501-0042	RV4NAYSJ503A	50K	2"	P2
KU1041S64	501-0043	RV4NAYSJ104A	100K	2"	P2
KU2041S64	501-0044	RV4NAYSJ204A	200K	2"	P2
KU2541S64	501-0045	RV4NAYSJ254A	250K	2"	P2
KU5041S64	501-0046	RV4NAYSJ504A	500K	2"	P2
KU1051S64	501-0047	RV4NAYSJ105A	1M	2"	P2

## Specifications

### Electrical

- Resistance Range – Linear Taper:** 50Ω to 1 Meg Ω
- Resistance Tolerance:** ±10%
- Power Rating:** 2 Watts @ 70°C derated to 0 Watts @ 120°C
- Insulation Resistance:** 10K Meg Ω (Dry)  
100K Meg Ω (Wet)
- Dielectric Strength:** 900V RMS at sea level
- Operating Voltage:** 500V subject to power rating

### Mechanical

- Mechanical Rotation:** 314°
- Operating Torque:** 1 oz/in to 6 oz/in
- Rotation Life:** 25,000 cycles

### Environmental

- Operating Temperature:** -65°C to +125°C
- Resistance to Soldering Heat:** 350°C for 5 seconds
- Load Life:** 1000 hr. at 70°C

## Features

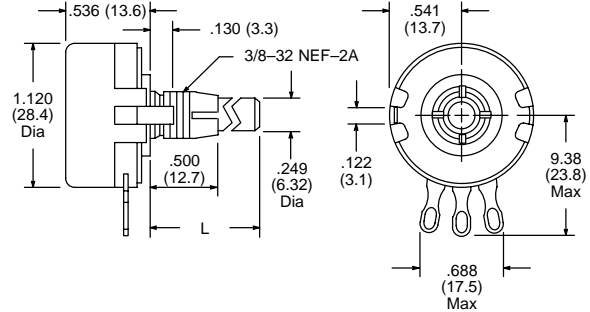
- Hot molded carbon element
- Gold plated terminals
- Stainless steel shaft and housing
- Meets or exceeds specifications of MIL-R-94 — QPL Listed



# PEC KLU/RV4LAY Series

Potentiometer – 2 Watt, 1/4” dia. locking shaft

P3



L = Shaft Length (See Table)

PEC No.	NTE Part No.	Military No.	Value (Ohms)	Shaft Length	Diag No.
KLU5001S20	501-0060	RV4LAYS500A	50	5/8"	P3
KLU1011S20	501-0061	RV4LAYS101A	100	5/8"	P3
KLU2511S20	501-0062	RV4LAYS251A	250	5/8"	P3
KLU5011S20	501-0063	RV4LAYS501A	500	5/8"	P3
KLU1021S20	501-0064	RV4LAYS102A	1K	5/8"	P3
KLU2021S20	501-0065	RV4LAYS202A	2K	5/8"	P3
KLU2521S20	501-0066	RV4LAYS252A	2.5K	5/8"	P3
KLU5021S20	501-0067	RV4LAYS502A	5K	5/8"	P3
KLU1031S20	501-0068	RV4LAYS103A	10K	5/8"	P3
KLU2531S20	501-0069	RV4LAYS253A	25K	5/8"	P3
KLU5031S20	501-0070	RV4LAYS503A	50K	5/8"	P3
KLU1041S20	501-0071	RV4LAYS104A	100K	5/8"	P3
KLU2541S20	501-0072	RV4LAYS254A	250K	5/8"	P3
KLU5041S20	501-0073	RV4LAYS504A	500K	5/8"	P3
KLU1051S20	501-0074	RV4LAYS105A	1M	5/8"	P3
KLU5051S20	501-0075	RV4LAYS505B	5M	5/8"	P3

## Specifications

### Electrical

**Resistance Range – Linear Taper:** 50Ω to 5 Meg Ω

**Resistance Tolerance:** ±10%

**Power Rating:** 2 Watts @ 70°C derated to 0 Watts @ 120°C

**Insulation Resistance:** 10K Meg Ω (Dry)

100K Meg Ω (Wet)

**Dielectric Strength:** 900V RMS at sea level

**Operating Voltage:** 500V subject to power rating

### Mechanical

**Mechanical Rotation:** 314°

**Operating Torque:** 1 oz/in to 6 oz/in

**Rotation Life:** 25,000 cycles

### Environmental

**Operating Temperature:** -65°C to +125°C

**Resistance to Soldering Heat:** 350°C for 5 seconds

**Load Life:** 1000 hr. at 70°C

## Features

- Hot molded carbon element
- One piece housing and bushing
- Stainless steel shaft
- Compact size
- Meets or exceeds specifications of MIL-R-94 — QPL Listed

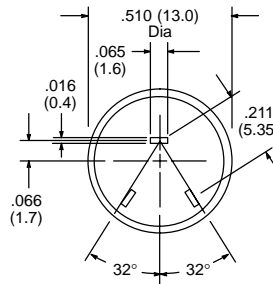
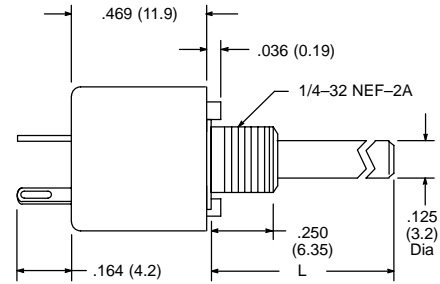


PEC No.	NTE Part No.	Military No.	Value (Ohms)	Shaft Length	Diag No.
SU1011S28	501-0085	RV6NAYSD101A	100	7/8"	P4
SU2511S28	501-0086	RV6NAYSD251A	250	7/8"	P4
SU5011S28	501-0087	RV6NAYSD501A	500	7/8"	P4
SU1021S28	501-0088	RV6NAYSD102A	1K	7/8"	P4
SU2521S28	501-0089	RV6NAYSD252A	2.5K	7/8"	P4
SU5021S28	501-0090	RV6NAYSD502A	5K	7/8"	P4
SU1031S28	501-0091	RV6NAYSD103A	10K	7/8"	P4
SU2531S28	501-0092	RV6NAYSD253A	25K	7/8"	P4
SU5031S28	501-0093	RV6NAYSD503A	50K	7/8"	P4
SU1041S28	501-0094	RV6NAYSD104A	100K	7/8"	P4
SU2541S28	501-0095	RV6NAYSD254A	250K	7/8"	P4
SU5041S28	501-0096	RV6NAYSD504A	500K	7/8"	P4
SU1051S28	501-0097	RV6NAYSD105A	1M	7/8"	P4

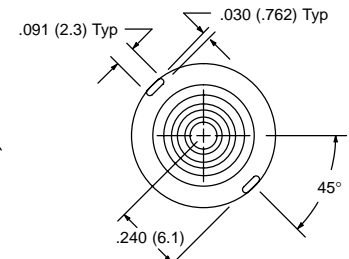
# PEC SU/RV6NAY Series

## Potentiometer – 1/2 Watt, 1/8" dia. shaft

P4



Terminal End



Shaft End

L = Shaft Length (See Table)

## Specifications

### Electrical

**Resistance Range – Linear Taper:** 100Ω to 1 Meg Ω  
**Resistance Tolerance:** ±10%  
**Power Rating:** 1/2 Watt @ 70°C derated to 0 Watts @ 120°C  
**Insulation Resistance:** 10K Meg Ω (Dry)  
 100K Meg Ω (Wet)

**Dielectric Strength:** 750V RMS at sea level  
**Operating Voltage:** 350V subject to power rating

### Mechanical

**Mechanical Rotation:** 295°  
**Operating Torque:** 0.5 oz/in to 6 oz/in  
**Rotation Life:** 25,000 cycles

### Environmental

**Operating Temperature:** -65°C to +125°C  
**Resistance to Soldering Heat:** 350°C for 5 seconds  
**Load Life:** 1000 hr. at 70°C

## Features

- Hot molded carbon element
- One piece housing and bushing
- Stainless steel shaft
- Compact size
- Meets or exceeds specifications of MIL-R-94 — QPL Listed

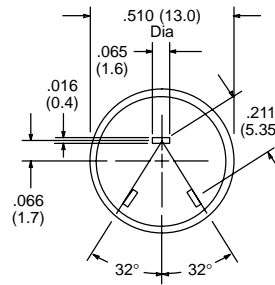
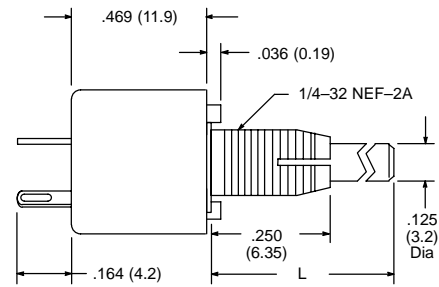


PEC No.	NTE Part No.	Military No.	Value (Ohms)	Shaft Length	Diag No.
SLU1011S20	501-0105	RV6LAYS101A	100	5/8"	P5
SLU5011S20	501-0106	RV6LAYS101A	500	5/8"	P5
SLU1021S20	501-0107	RV6LAYS102A	1K	5/8"	P5
SLU2521S20	501-0108	RV6LAYS102A	2.5K	5/8"	P5
SLU5021S20	501-0109	RV6LAYS102A	5K	5/8"	P5
SLU1031S20	501-0110	RV6LAYS103A	10K	5/8"	P5
SLU2531S20	501-0111	RV6LAYS103A	25K	5/8"	P5
SLU5031S20	501-0112	RV6LAYS103A	50K	5/8"	P5
SLU1041S20	501-0113	RV6LAYS104A	100K	5/8"	P5
SLU2541S20	501-0114	RV6LAYS104A	250K	5/8"	P5
SLU5041S20	501-0115	RV6LAYS104A	500K	5/8"	P5
SLU1051S20	501-0116	RV6LAYS105A	1M	5/8"	P5

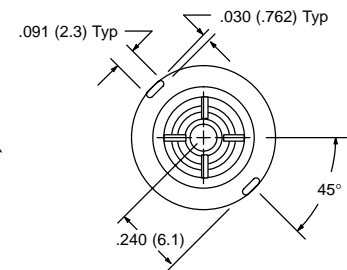
# PEC SLU/RV6LAY Series

## Potentiometer – 1/2 Watt, 1/8" dia. locking shaft

P5



Terminal End



Shaft End

L = Shaft Length (See Table)

## Specifications

### Electrical

- Resistance Range – Linear Taper:** 100Ω to 1 Meg Ω
- Resistance Tolerance:** ±10%
- Power Rating:** 1/2 Watt @ 70°C derated to 0 Watts @ 120°C
- Insulation Resistance:** 10K Meg Ω (Dry)  
100K Meg Ω (Wet)
- Dielectric Strength:** 750V RMS at sea level
- Operating Voltage:** 350V subject to power rating

### Mechanical

- Mechanical Rotation:** 295°
- Operating Torque:** 0.5 oz/in to 6 oz/in
- Rotation Life:** 25,000 cycles

### Environmental

- Operating Temperature:** –65°C to +125°C
- Resistance to Soldering Heat:** 350°C for 5 seconds
- Load Life:** 1000 hr. at 70°C

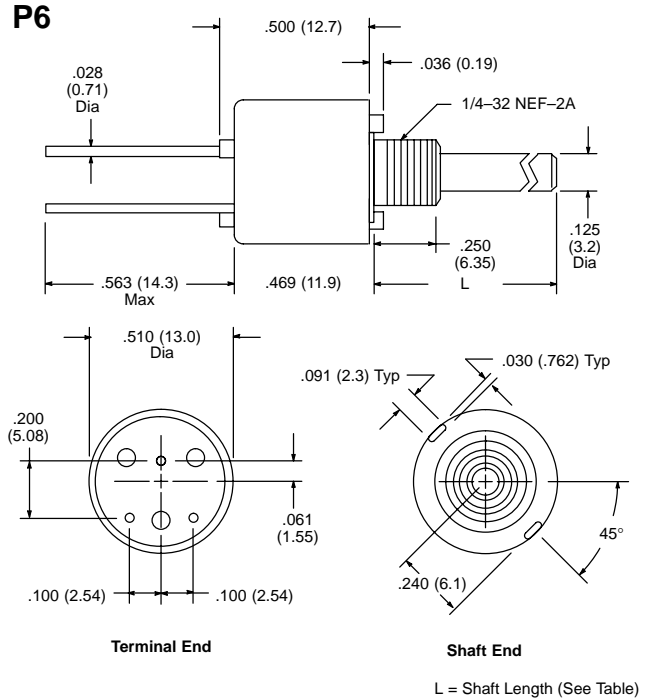
## Features

- Hot molded carbon element
- Board washable
- Stainless steel shaft
- Compact size
- Meets or exceeds specifications of MIL-R-94 — QPL Listed



# PEC SPRU/RV8NAY Series

## Potentiometer – 1/2 Watt, 1/8" dia. shaft



NEW

PEC No.	NTE Part No.	Military No.	Value (Ohms)	Shaft Length	Diag No.
SPRU1011S28	501-0120	RV8NAYSD101A	100	7/8"	P6
SPRU2511S28	501-0133	RV8NAYSD251A	250	7/8"	P6
SPRU5011S28	501-0121	RV8NAYSD501A	500	7/8"	P6
SPRU1021S28	501-0122	RV8NAYSD102A	1K	7/8"	P6
SPRU2521S28	501-0123	RV8NAYSD252A	2.5K	7/8"	P6
SPRU5021S28	501-0124	RV8NAYSD502A	5K	7/8"	P6
SPRU1031S28	501-0125	RV8NAYSD103A	10K	7/8"	P6
SPRU2531S28	501-0126	RV8NAYSD253A	25K	7/8"	P6
SPRU5031S28	501-0127	RV8NAYSD503A	50K	7/8"	P6
SPRU1041S28	501-0128	RV8NAYSD104A	100K	7/8"	P6
SPRU2541S28	501-0129	RV8NAYSD254A	250K	7/8"	P6
SPRU5041S28	501-0130	RV8NAYSD504A	500K	7/8"	P6
SPRU1051S28	501-0131	RV8NAYSD105A	1M	7/8"	P6
SPRU2551S28	501-0132	RV8NAYSD255A	2.5M	7/8"	P6

## Specifications

### Electrical

**Resistance Range – Linear Taper:** 100Ω to 2.5 Meg Ω  
**Resistance Tolerance:** ±10%  
**Power Rating:** 1/2 Watt @ 70°C derated to 0 Watts @ 120°C  
**Insulation Resistance:** 10K Meg Ω (Dry)  
 100K Meg Ω (Wet)

**Dielectric Strength:** 750V RMS at sea level  
**Operating Voltage:** 350V subject to power rating

### Mechanical

**Mechanical Rotation:** 295°  
**Operating Torque:** 0.5 oz/in to 6 oz/in  
**Rotation Life:** 25,000 cycles

### Environmental

**Operating Temperature:** -65°C to +125°C  
**Resistance to Soldering Heat:** 350°C for 5 seconds  
**Load Life:** 1000 hr. at 70°C