

## QJ 225A Frame

16

Molded Case  
Circuit Breakers

Continuous Current Rating @ 40°C	2-Pole		3-Pole	
	240V AC		240V AC	
	Catalog Number	List Price <sup>②</sup>	Catalog Number	List Price <sup>②</sup>
<b>Type QJ2 — 10kA</b>				
100	QJ22B100		QJ23B100	
110	QJ22B110		QJ23B110	
125	QJ22B125		QJ23B125	
150	QJ22B150		QJ23B150	
175	QJ22B175		QJ23B175	
200	QJ22B200		QJ23B200	
225	QJ22B225		QJ23B225	
<b>Type QJH2 — 22kA</b>				
100	QJH22B100		QJH23B100	
110	QJH22B110		QJH23B110	
125	QJH22B125		QJH23B125	
150	QJH22B150		QJH23B150	
175	QJH22B175		QJH23B175	
200	QJH22B200		QJH23B200	
225	QJH22B225		QJH23B225	
<b>Type QJ2H — 42kA</b>				
100	QJ22B100H		QJ23B100H	
110	QJ22B110H		QJ23B110H	
125	QJ22B125H		QJ23B125H	
150	QJ22B150H		QJ23B150H	
175	QJ22B175H		QJ23B175H	
200	QJ22B200H		QJ23B200H	
225	QJ22B225H		QJ23B225H	

### Ordering Information

Load side TA1Q300 lugs are mounted and included when circuit breaker is ordered. For line and load lugs (TA1Q300) installed at no additional charge, add suffix "L" to catalog number.

50°C Calibration - See page 857.  
400HZ. - See page 857.

### Shipping Weights

QJ2, QJH2, QJ2H, HQJ2H		
Number of Poles	Number per Carton	Shipping Weight (lbs.)
2	10	30
3	10	41

### Lugs For 75°C Wire<sup>①</sup>

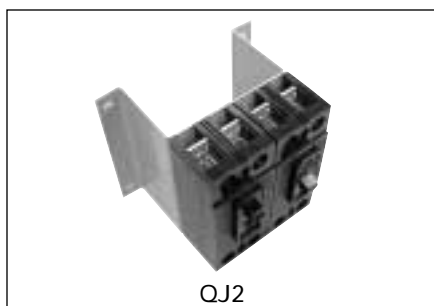
Catalog Number	Lug Body	Lug Wire Range
TA1Q300	Al	(1) #6—300 kcmil Cu (1) #4—300 kcmil Al
TC1Q250	Cu	(1) #6—250 kcmil Cu

### Enclosures (Neutral Included)

Type	Catalog Number	List Price <sup>②</sup>
1	EB3225(S)(F)	
3R (2-pole)	WB2225	
3R (3-pole)	WB3225	

### UL 489 Interrupting Ratings

Breaker Type	AIR @ 240V AC
QJ2	10,000
QJH2	22,000
QJ2H	42,000



QJ2

The new QJ2 interlock, in 2- and 3-pole versions, is an ideal device for 120/240V AC transfer schemes.



QJ

**QJ2 Internal Accessories (Factory installed only) Add suffix to catalog number and adder to list price.**

Control Voltage		Shunt Trip		Auxiliary Switches				Shunt Trip and 1A and 1B Auxiliary Switch	
				1A and 1B		2A and 2B			
AC	DC	Suffix	List Adder <sup>②</sup>	Suffix	List Adder <sup>②</sup>	Suffix	List Adder <sup>②</sup>	Suffix	List Adder <sup>②</sup>
120/240		00S01		A01		A02		01S01	
	24	00S07		A01		A02		01S07	
	48	00S09		A01		A02		01S09	
	125	00S11		A01		A02		01S11	

<sup>①</sup> Molded case circuit breakers having a rated ampacity of 125 amperes or less are to be connected with 60 or 75°C wire. Circuit breakers having a rated ampacity greater than 125 amperes shall only be cabled with 75°C cable unless otherwise indicated on the circuit breaker label. Exceptions to this rule are outlined in article 110-14 C(1)(2) of the 1996 National Electrical Code.

<sup>②</sup> Consult sales office for prices.

Accessories pages 854-872

Built to order. Allow 2 weeks for production.