



CQD 100A Frame

Type CQD (Cable In - Cable Out) DIN Rail Mount

Continuous Current Rating @ 40°C	1-Pole		2-Pole		3-Pole	
	277V AC		480Y/277V AC 125/250V DC		480Y/277V AC	
	Catalog Number	List Price ^③	Catalog Number	List Price ^③	Catalog Number	List Price ^③
15	CQD115 ^{①②}		CQD215		CQD315	
20	CQD120 ^{①②}		CQD220		CQD320	
25	CQD125 ^②		CQD225		CQD325	
30	CQD130 ^②		CQD230		CQD330	
35	CQD135		CQD235		CQD335	
40	CQD140		CQD240		CQD340	
45	CQD145		CQD245		CQD345	
50	CQD150		CQD250		CQD350	
60	CQD160		CQD260		CQD360	
70	CQD170		CQD270		CQD370	
80	CQD180		CQD280		CQD380	
90	CQD190		CQD290		CQD390	
100	CQD1100		CQD2100		CQD3100	

Interrupting Ratings

Breaker Type	Number of Poles	RMS Symmetrical Amperes (KA)					
		Volts AC (50/60 Hz)				Volts DC	
		120	240	480/277	600/347	125	250
CQD (UL)	1	65	—	14	—	14	—
	2	—	65	14	—	—	14
	3	—	65	14	—	—	—

For inches / millimeters conversion, see page 935.

① SWD rated.

② HID rated.

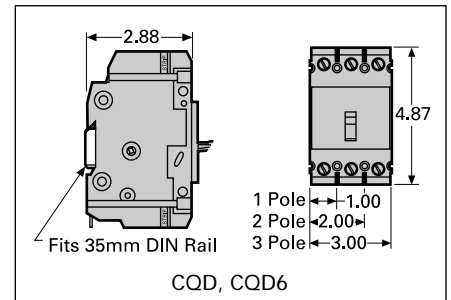
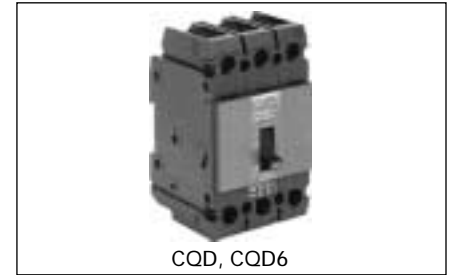
③ Consult sales office for prices.

Shipping Weights

Number of Poles	Number per Carton	Shipping Weight lbs. (kg)
1	1	0.5 (0)
2	1	1.0 (0)
3	1	1.5 (1)

Lugs For 60/75°C Wire

Amps	Wire Size
15-40	#14-#6 AWG Cu #12-#6 AWG Al
45-100	#8-#1 AWG Cu #6-#1/0 AWG Al



16
Molded Case
Circuit Breakers

Accessories pages 854-872