

3TC44



3TC52



Type 264 With Arc Chute



Type 264 Without Arc Chute



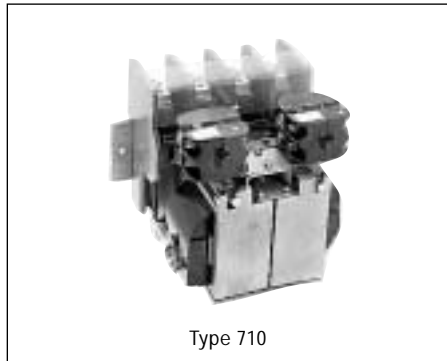
Type 720 Without Arc Chute



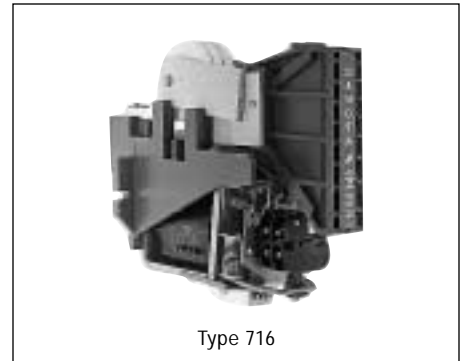
Type 720 With Standard Capacity Arc Chute



Type 700



Type 710



Type 716

Specifications

Type 3TC general purpose contactors meet or exceed the requirements of NEMA, UL, CSA, IEC, VDE and other international standards. Information on approvals is given in Section 1.

Application

Type 3TC DC contactors are primarily used in mining, steel mills, and other heavy duty industrial applications. These contactors are designed for continuous operation and they are used to

remotely control DC drives, cranes, hoists, heaters and lamps as well as such apparatus as battery-chargers, plating equipment and transit systems.

These contactors can be used for starting of DC motors where the starting current does not exceed 10 times the current corresponding to the horsepower rating of the contactor.

The ratings given in the Contactor Ratings Table apply for the double-pole switching of loads or when the two

contact paths of the contactor are connected in series. When only one contact is used, the values given can be switched at voltages up to 220V.

The Siemens full line of Special Purpose DC Contactors provides products for all high current demanding DC applications. Contact your local Siemens sales office for any additional Special Purpose DC Contactor information you require.