

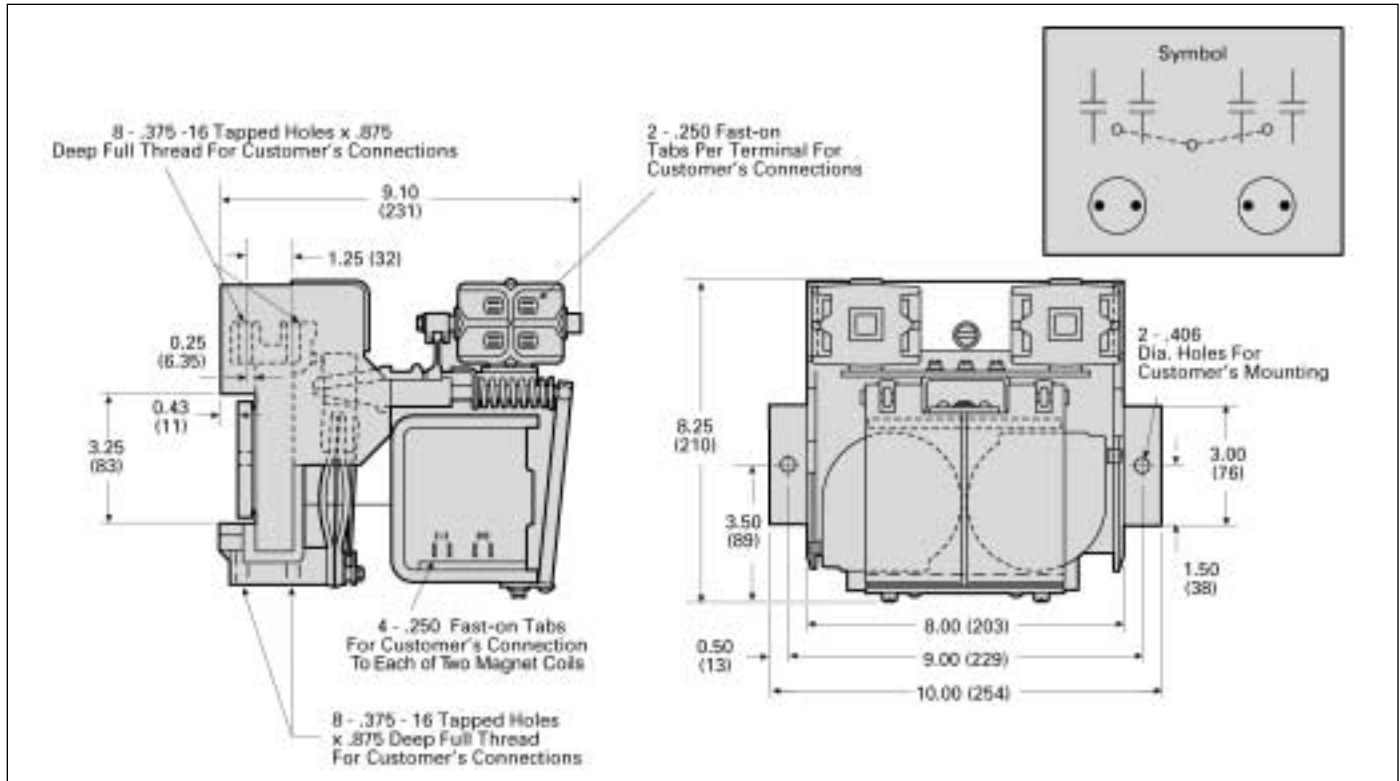


DC Contactors

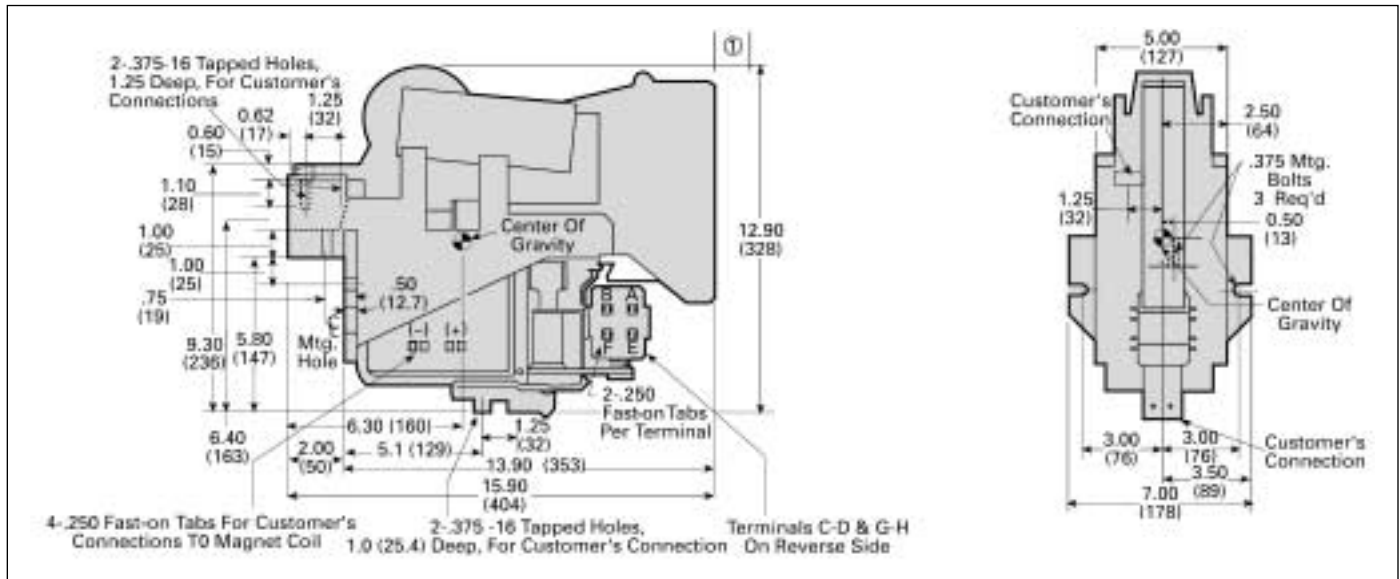
Dimensions

Special Purpose — Type 710 and 716

Type 710



Type 716



All dimensions shown in inches and (millimeters). For reference purposes only. Not to be used for design or construction purposes.

①Electrical clearance to ground 3.00 (76).

7
DC Power Control