



### Combination NEMA 1, 12, 3R, 4 and 4X Stainless Steel

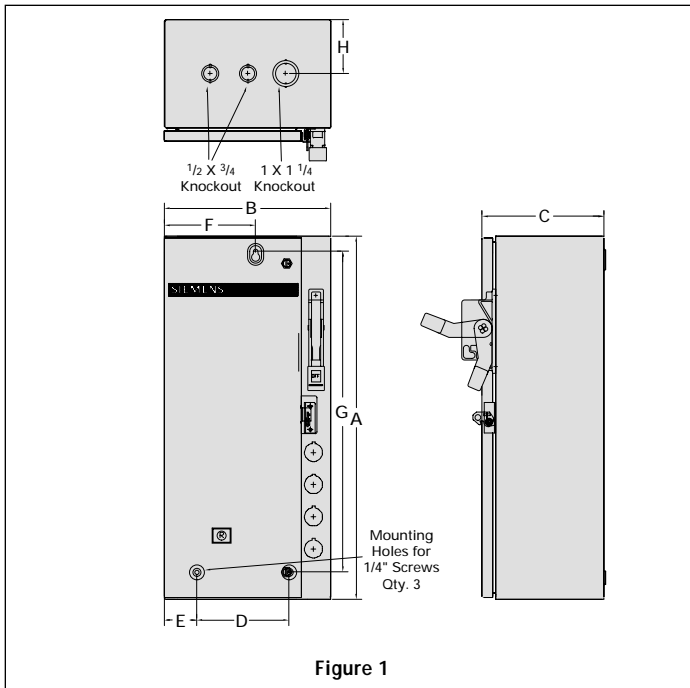


Figure 1

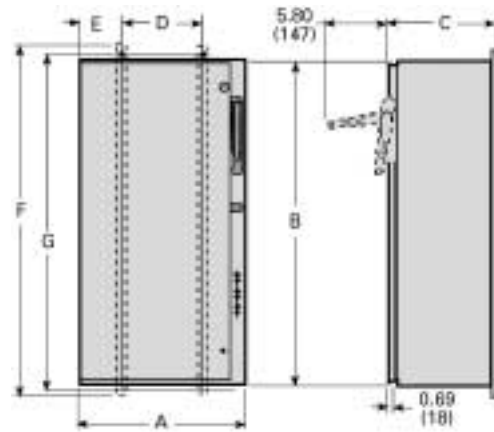


Figure 2

#### NEMA Type 1, 12, 3R, 4 and 4X Stainless Steel Enclosures

Lighting and Heating Contactors											
Class	Amp Rating	Figure Number	Number of Poles	A	B	C	D	E	F	G	H
CLF	20	1	3	10.00 (254)	24.00 (610)	8.00 (203)	5.25 (133)	2.38 (60)	21.62 (549)	25.00 (635)	—
	30			20.00 (508)	24.00 (610)	8.00 (203)	15.25 (387)	2.38 (60)	21.62 (549)	25.00 (635)	10.00 (254)
	60			24.00 (610)	36.00 (914)	12.50 (318)	19.25 (489)	2.38 (60)	33.62 (854)	25.00 (635)	14.00 (356)
	100			30.00 (762)	48.00 (1219)	12.50 (318)	18.00 (457)	6.00 (152)	50.50 (1283)	52.00 (1321)	—
	200			30.00 (762)	48.00 (1219)	12.50 (318)	18.00 (457)	6.00 (152)	50.50 (1283)	52.00 (1321)	—
CLN	20	1	3	10.00 (254)	24.00 (610)	8.00 (203)	5.25 (133)	2.38 (60)	21.62 (549)	25.00 (635)	—
	30			20.00 (508)	24.00 (610)	8.00 (203)	15.25 (387)	2.38 (60)	21.62 (549)	25.00 (635)	10.00 (254)
	60			24.00 (610)	36.00 (914)	12.50 (318)	19.25 (489)	2.38 (60)	33.62 (854)	25.00 (635)	14.00 (356)
	100			30.00 (762)	48.00 (1219)	12.50 (318)	18.00 (457)	6.00 (152)	50.50 (1283)	52.00 (1321)	—
	200			30.00 (762)	48.00 (1219)	12.50 (318)	18.00 (457)	6.00 (152)	50.50 (1283)	52.00 (1321)	—
CLB	20	1	3	10.00 (254)	24.00 (610)	8.00 (203)	5.25 (133)	2.38 (60)	21.62 (549)	25.00 (635)	—
	30			20.00 (508)	24.00 (610)	8.00 (203)	15.25 (387)	2.38 (60)	21.62 (549)	25.00 (635)	10.00 (254)
	60			24.00 (610)	36.00 (914)	12.50 (318)	19.25 (489)	2.38 (60)	33.62 (854)	25.00 (635)	14.00 (356)
	100			30.00 (762)	48.00 (1219)	12.50 (318)	18.00 (457)	6.00 (152)	50.50 (1283)	52.00 (1321)	—
	200			30.00 (762)	48.00 (1219)	12.50 (318)	18.00 (457)	6.00 (152)	50.50 (1283)	52.00 (1321)	—
CMF	20	1	3	10.00 (254)	24.00 (610)	8.00 (203)	5.25 (133)	2.38 (60)	21.62 (549)	25.00 (635)	—
	30			20.00 (508)	24.00 (610)	8.00 (203)	15.25 (387)	2.38 (60)	21.62 (549)	25.00 (635)	10.00 (254)
	60			24.00 (610)	36.00 (914)	12.50 (318)	19.25 (489)	2.38 (60)	33.62 (854)	25.00 (635)	14.00 (356)
	100			30.00 (762)	48.00 (1219)	12.50 (318)	18.00 (457)	6.00 (152)	50.50 (1283)	52.00 (1321)	—
	200			30.00 (762)	48.00 (1219)	12.50 (318)	18.00 (457)	6.00 (152)	50.50 (1283)	52.00 (1321)	—
CMN	20	1	3	10.00 (254)	24.00 (610)	8.00 (203)	5.25 (133)	2.38 (60)	21.62 (549)	25.00 (635)	—
	30			20.00 (508)	24.00 (610)	8.00 (203)	15.25 (387)	2.38 (60)	21.62 (549)	25.00 (635)	10.00 (254)
	60			24.00 (610)	36.00 (914)	12.50 (318)	19.25 (489)	2.38 (60)	33.62 (854)	25.00 (635)	14.00 (356)
	100			30.00 (762)	48.00 (1219)	12.50 (318)	18.00 (457)	6.00 (152)	50.50 (1283)	52.00 (1321)	—
	200			30.00 (762)	48.00 (1219)	12.50 (318)	18.00 (457)	6.00 (152)	50.50 (1283)	52.00 (1321)	—
CMB	20	1	3	10.00 (254)	24.00 (610)	8.00 (203)	5.25 (133)	2.38 (60)	21.62 (549)	25.00 (635)	—
	30			20.00 (508)	24.00 (610)	8.00 (203)	15.25 (387)	2.38 (60)	21.62 (549)	25.00 (635)	10.00 (254)
	60			24.00 (610)	36.00 (914)	12.50 (318)	19.25 (489)	2.38 (60)	33.62 (854)	25.00 (635)	14.00 (356)
	100			30.00 (762)	48.00 (1219)	12.50 (318)	18.00 (457)	6.00 (152)	50.50 (1283)	52.00 (1321)	—
	200			30.00 (762)	48.00 (1219)	12.50 (318)	18.00 (457)	6.00 (152)	50.50 (1283)	52.00 (1321)	—

Note: Dimensions for reference, not for construction.  
Dimensions in inches (mm).