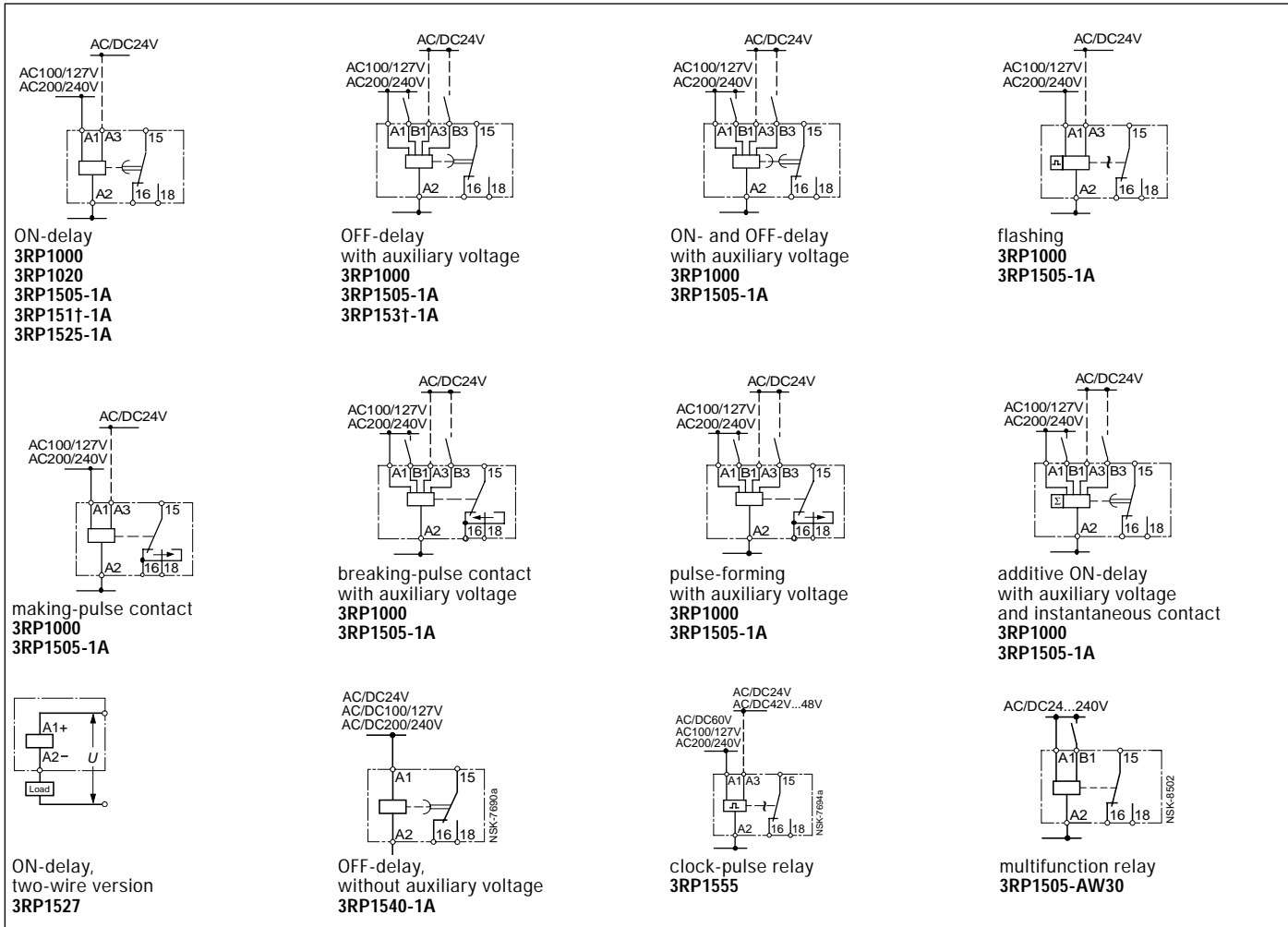




Wiring Diagrams (Terminal designation according to DIN 46 199 Part 5)



AC Wiring Load Parallel to Start Input

