
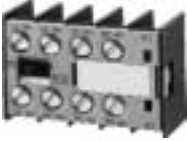


3TH2 Type: Screw Terminals



3TH2022-0AK6



3TX4440-0A

Ordering Information

- ▶ Determine type of connection, screw terminals, the number of contacts, AC or DC, then select Catalog Number.
- ▶ Complete Catalog Number by adding Coil suffix from table below e.g.:

3TH30 2 2 0 A K6

Relay Type ————

2 NO ————

2 NC ————

Screw Terminal ————

AC ————

Coil ————

Voltage 120V AC

- ▶ Accessories, Varistors, RC Elements and Suppressors listed in table below.
- ▶ Coils and Contacts are not replaceable.
- ▶ Select Auxiliary Contacts if required from table below.

Relays for DIN Rail and Screw Mounting


Description	Number of Contacts	Code	Contact Type		Catalog No (Coil Suffix required from coil tables)	Price \$		
			NO	NC				
Relays with Screw Terminals								
3TH20 45 mm Wide	AC	4	40E	4	—	3TH2040-0A††	59.00	
			31E	3	1	3TH2031-0A††	59.00	
			22E	2	2	3TH2022-0A††	59.00	
	DC	4	40E	4	—	3TH2040-0B††	66.00	
			31E	3	1	3TH2031-0B††	66.00	
			22E	2	2	3TH2022-0B††	66.00	
Auxiliary Contacts								
3TX4 Auxiliary Contact Blocks for Relays with Screw Terminals	4 Additional per DIN	80E	4	—	3TX4440-0A	30.00		
			71E	3	1	3TX4431-0A	30.00	
			62E	2	2	3TX4422-0A	30.00	
			53E	1	3	3TX4413-0A	30.00	
	4 Additional	40	4	—	3TX4440-2A	30.00		
			31	3	1	3TX4431-2A	30.00	
			22	2	2	3TX4422-2A	30.00	
			2 Additional	20	2	—	3TX4420-2A	19.50
	11	1			1	3TX4411-2A	19.50	
		02	—	2	2	3TX4402-2A	19.50	
	Relays with Screw Terminals							
	3TH21 with 8 Fixed Contacts 90 mm Wide	AC	8	80E	8	0	3TH2180-0A††	107.00
71E				7	1	3TH2171-0A††	107.00	
62E				6	2	3TH2162-0A††	107.00	
53E				5	3	3TH2153-0A††	107.00	
44E				4	4	3TH2144-0A††	107.00	
DC				8	80E	8	0	3TH2180-0B††
		71E	7		1	3TH2171-0B††	118.00	
		62E	6		2	3TH2162-0B††	118.00	
		53E	5		3	3TH2153-0B††	112.00	
		44E	4		4	3TH2144-0B††	118.00	
		Relays with Screw Terminals						
3TH22 with 8 Contacts 45 mm Wide		AC	8	80E	8	0	3TH2280-0A††	100.00
				71E	7	1	3TH2271-0A††	100.00
				62E	6	2	3TH2262-0A††	100.00
	53E			5	3	3TH2253-0A††	100.00	
	44E			4	4	3TH2244-0A††	100.00	
	DC	8	80E	8	0	3TH2280-0B††	112.00	
			71E	7	1	3TH2271-0B††	112.00	
			62E	6	2	3TH2262-0B††	112.00	
			53E	5	3	3TH2253-0B††	112.00	
			44E	4	4	3TH2244-0B††	112.00	
Mechanical Latch Relay								
3TH27 with Screw Terminals 90 mm Wide Terminals	AC	4	40E	4	—	3TH2740-0A††	230.00	
			31E	3	1	3TH2731-0A††	230.00	
			22E	2	2	3TH2722-0A††	230.00	
	DC	4	40E	4	—	3TH2740-0B††	246.00	
			31E	3	1	3TH2731-0B††	246.00	
			22E	2	2	3TH2722-0B††	246.00	

† No auxiliary contact can be added.

Special DC Operated

Description	Number of Contacts	Code	Contact Type		Catalog No	Price \$
			NO	NC		
3TH20 Rated Power of Coil 1.2W at 24V DC for Electronic Interface®	4	40E	4	0	3TH2040-0FB4	78.00
		31E	3	1	3TH2031-0FB4	78.00
		22E	2	2	3TH2022-0FB4	78.00

Accessories

Description	AC Voltage	DC Voltage	Catalog No	Price \$
 3TX4490-3J	Varistors for AC and DC Operation	<48V	3TX4490-3G	23.50
		48 to 127V	3TX4490-3H	23.50
		127 to 240V	3TX4490-3J	23.50
	RC Element with Varistor for AC	24 to 48V	3TX4490-3R	23.50
		48 to 127V	3TX4490-3S	23.50
Suppression Diode for DC Operation	—	12 to 250V	3TX4490-3A	23.50

Coil Suffix

AC Volts 50/60 Hz							
24	110/120	173/208	220/277	208	220/240	380/460	500/600
C2	K6	M1	U1	M2	P6	Q0	S0

Coil Suffix

DC Volts				
12	24	48	125	240
A4	B4	W4	G4	Q4

10

Logic Control

600