



Current Sensitive Relay

Selection/Wiring/Dimensions

Ordering Information, Class 97

Manual/Automatic Reset

Catalog No ^①	Current Trip Adjust Range	Hp Range @ 460V ^②	Max Cont Oper Current	Free Standing Price \$	Panel Mount Price \$
Model 97U—Undercurrent Styles					
97UM*0207	2-7	3-7½	125A	315.	270.
97UM*0416	4-16	5-15	140A	315.	270.
97UM*0728	7-28	10-30	140A	315.	270.
97UM*1456	14-56	20-60	140A	315.	270.
Model 97A—Overcurrent Styles					
97AM*0207	2-7	1-3	125A	315.	270.
97AM*0416	4-16	3-7½	140A	315.	270.
97AM*0728	7-28	5-15	140A	315.	270.
97AM*1456	14-56	10-30	140A	315.	270.
97AM*3010	30-100	30-75	140A	315.	270.

Automatic Only Reset

Catalog No ^①	Current Trip Adjust Range	Hp Range @ 460V ^②	Max Cont Oper Current	Free Standing Price \$	Panel Mount Price \$
Series 97U—Undercurrent Styles					
97UA*0207	2-7	3-7½	125A	245.	347.
97UA*0416	4-16	5-15	140A	245.	347.
97UA*0728	7-28	10-30	140A	245.	347.
97UA*1456	14-56	20-60	140A	245.	347.
Series 97A—Overcurrent Styles					
97AA*0207	2-7	1-3	125A	245.	347.
97AA*0416	4-16	3-7½	140A	245.	347.
97AA*0728	7-28	5-15	140A	245.	347.
97AA*1456	14-56	10-30	140A	245.	347.
97AA*3010	30-100	30-75	140A	245.	347.

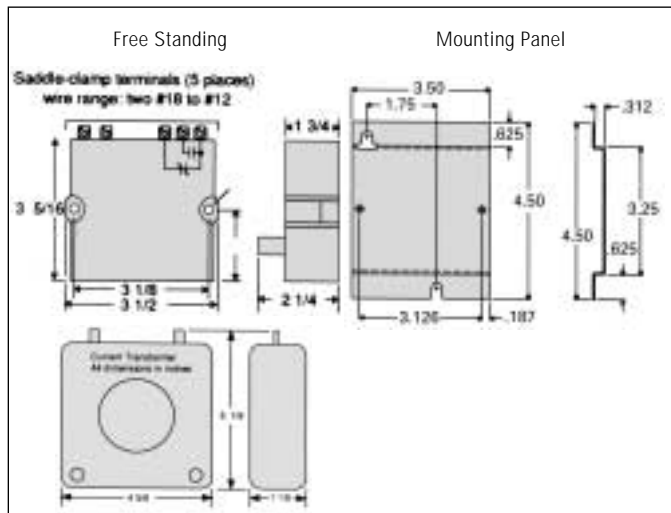
Optional Current Transformer

Rating	Catalog No	Price \$
150:5	97CT002	141.
200:5	97CT003	141.
250:5	97CT004	141.
300:5	97CT005	141.
400:5	97CT006	141.

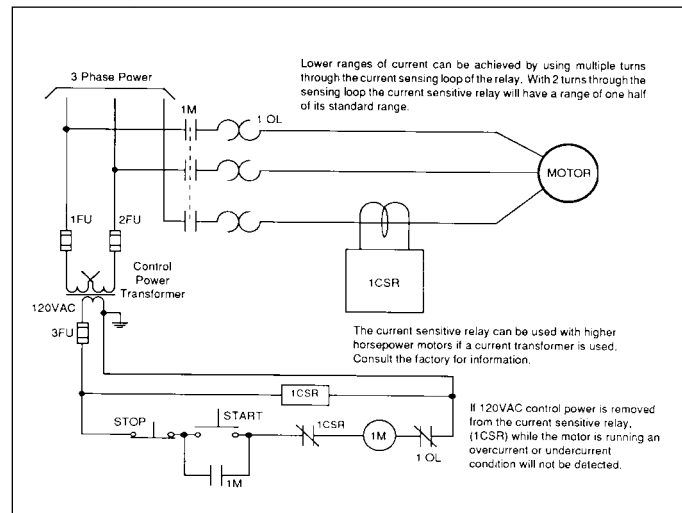
Nomenclature

Class	Type	Reset	Mounting	Sensing Range	Voltage
97					
	A—Overcurrent U—Undercurrent	A—Automatic Only M—Manual/Auto	M—Panel Mount F—Free Standing	0207 2-7 Amps 0416 4-16 Amps 1456 14-56 Amps 3010 30-100 Amps	G-240V AC Blank for 120V AC

Dimensions



Wiring Diagram



- ①Use complete catalog number, replace * with mounting type: F = free standing, M = panel mount.
- ②These styles can also be used on voltage systems other than 460V AC by changing Hp range proportionally.

Notes: Dimensions for reference, not for construction. Dimensions in inches.

10
Logic Control