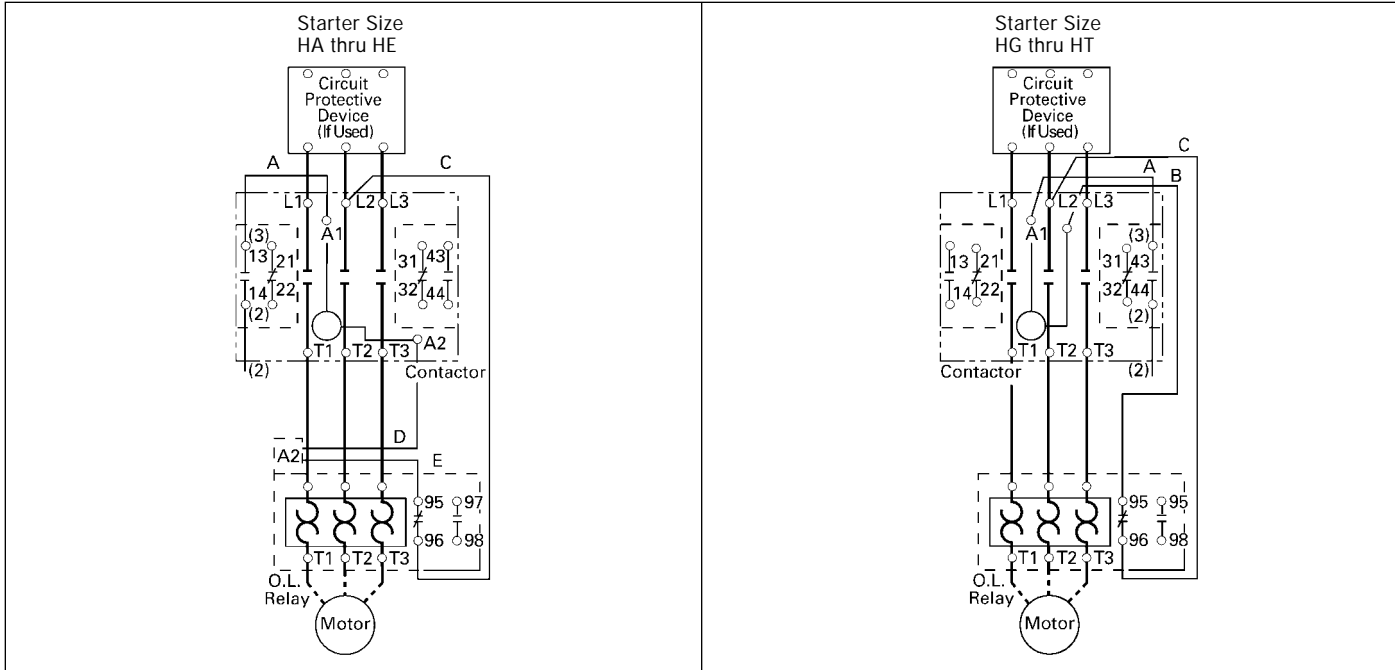




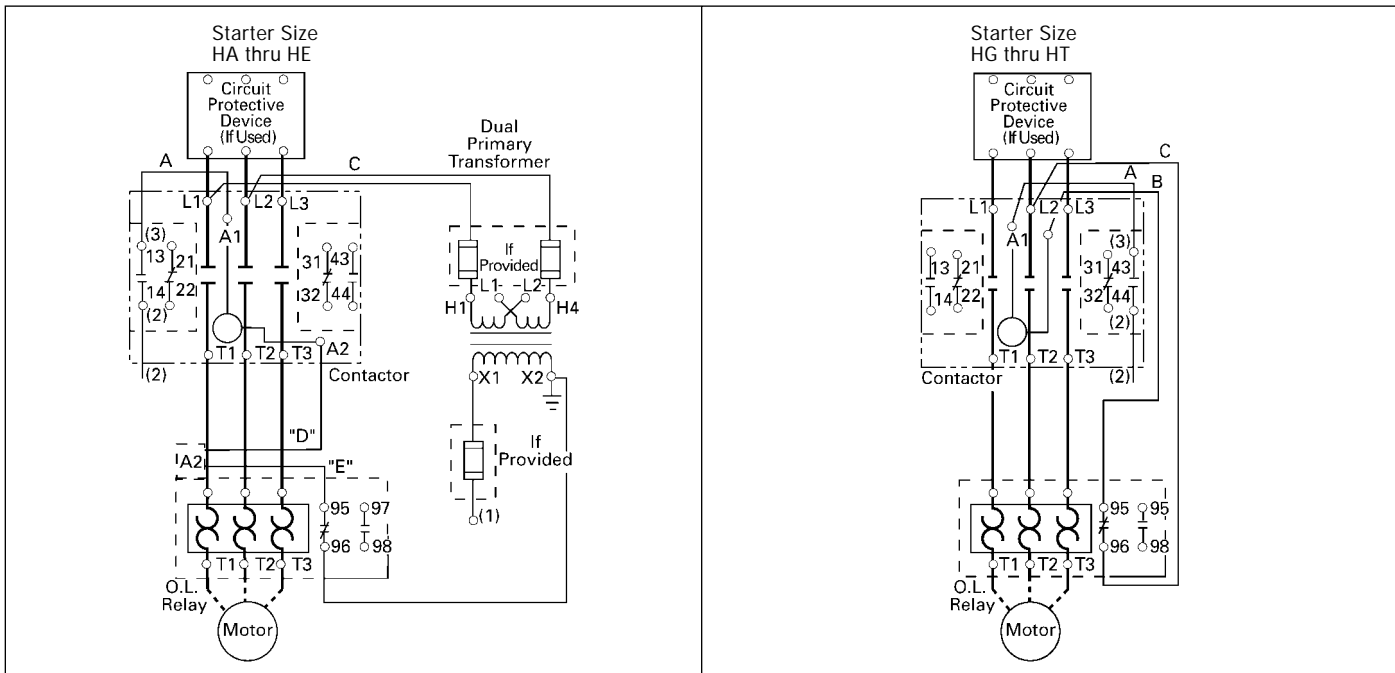
Class SXL

Class SXL Without Control Power Transformer

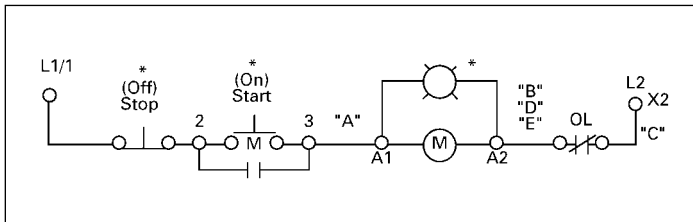


2
NEMA and HP
Rated Control

Class SXL With Control Power Transformer



Typical Schematic With P.B. and Run Light



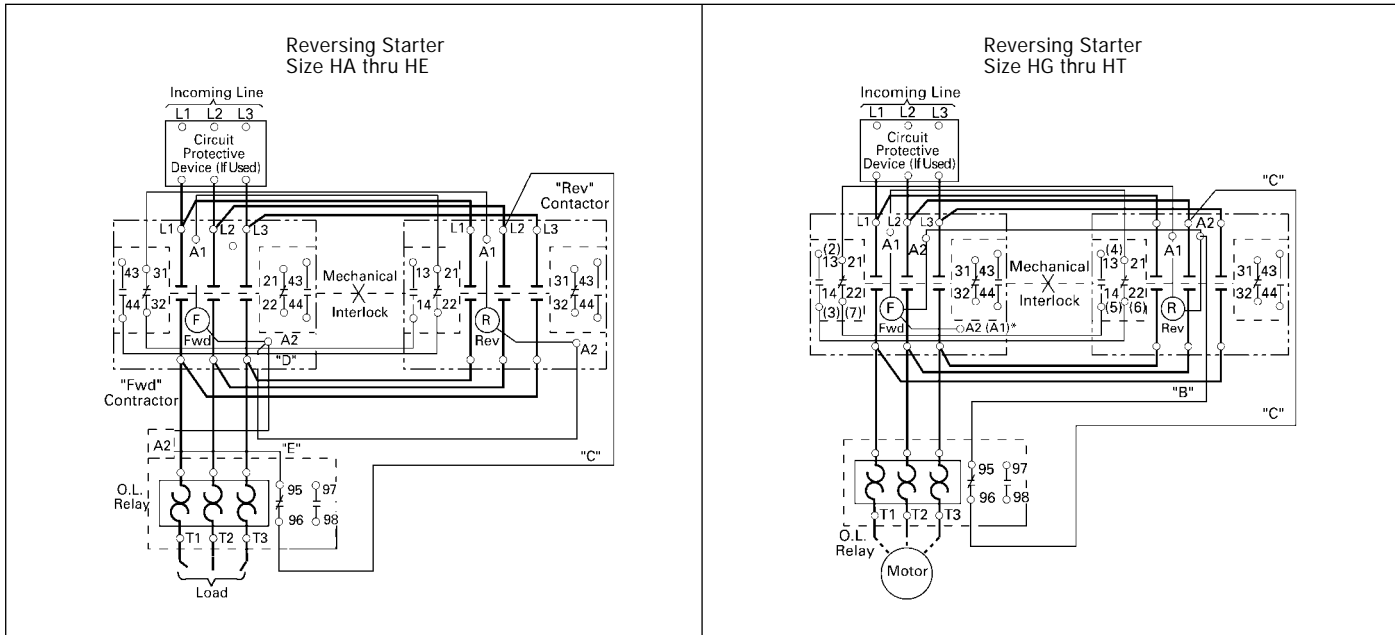
Note: Starters size HA thru HE are provided with the overload relays which mount directly to the contactor. These overload relays are provided with a contactor coil A2 repeat terminal. Wire "D" is integral with the overload relay. Jumper wire "E" is provided on the overload relay.



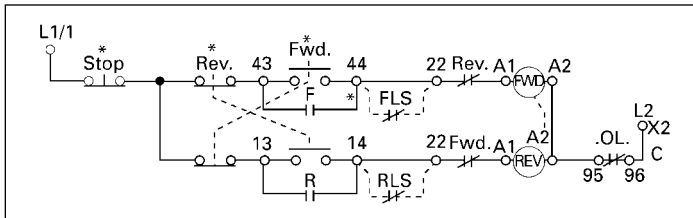
Class SRL

Class SRL

2
NEMA and HP
Rated Control



Typical Schematic With Momentary Contact Control



Note: Wire "C" omitted on starters with coils rated 120V or less.

Note: Reverser sizes HA thru HE are provided with overload relays which mount directly to the contactor. These overload relays are provided with a contactor coil A2 repeat terminal. Wire "D" is integral with the overload relay. Jumper wire "E" is provided on the overload relay.