




## Switches<sup>®</sup>, Class 12

 <p>Class 12 Motor Starter Switch</p>	Ordering Information		Horsepower Ratings								
	<ul style="list-style-type: none"> <li>▶ Accessories see below.</li> <li>▶ Dimensions see below.</li> <li>▶ Wiring Diagrams see page 32.</li> <li>▶ Application Data see page 32.</li> </ul>		Device	No of Poles	Motor Type AC	Maximum HP			DC Ratings		
						115V	230V	450–575V	90V	115V	230V
		Class 12	2	3	Single Phase	2	2	3	—	1	—
					Three Phase	—	2	2	—	—	—



### Basic Switch—Class 12, Single Phase

Max HP						Legend	Enclosure							
115 Volts AC	230 Volts AC	575 Volts	120 Volts DC	Continuous Amp Rating	No of Poles		Open Type with Flush Plate		NEMA 1 General Purpose		NEMA 1 General Purpose with 120V Pilot Light		NEMA 1 General Purpose with 240V Pilot Light	
							Catalog No	Price \$	Catalog No	Price \$	Catalog No	Price \$	Catalog No	Price \$
2	3	—	1	24	2	Start, Stop	12BA21P	42.50	12BA21B	46.00	12BA21BFE	108.00	12BA21BFF	108.00
2	3	—	1	24	2	On, Off	12BA22P	42.50	12BA22B	46.00	12BA22BFE	108.00	12BA22BFF	108.00

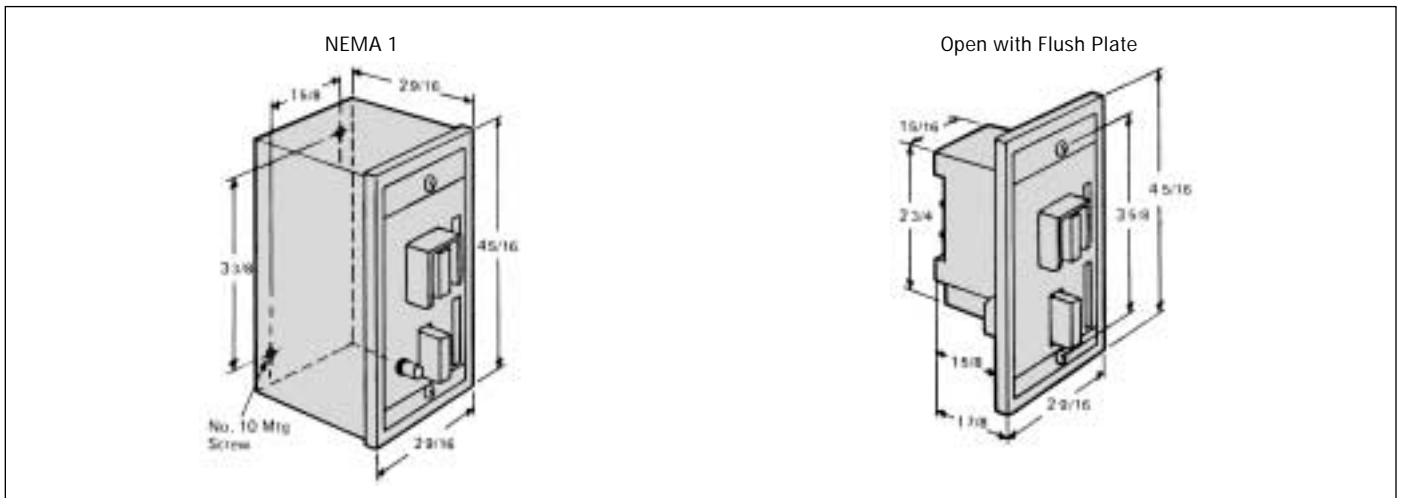
### Basic Switch—Class 12, Three Phase

—	2	2	—	15	3	Start, Stop	12BA31P	81.00	12BA31B	85.00	12BA31BFE	146.00	12BA31BFF	146.00
—	2	2	—	15	3	On, Off	12BA32P	81.00	12BA32B	85.00	12BA32BFE	146.00	12BA32BFF	146.00

### Field Modifications—Class 12

Description	Volts	Catalog No	Price \$
Pilot Light <sup>®</sup> 	120 208–240 480	12ZAL1 12ZAL2 12ZAL4	38.50 38.50 38.50
Description	Legend	Catalog No	Price \$
Nameplate	Start, Stop On, Off	12ZAN1 12ZAN5	5.80 5.80
Nameplate With Pilot Light Opening 	Start, Stop On, Off	12ZAN2 12ZAN6	5.80 5.80
NEMA 1 Enclosure	—	49EA12BAB	38.50

### Dimensions—Class 12



<sup>®</sup>Manual switches do not include overloads.  
<sup>®</sup>Requires nameplate with pilot light opening.

**Note:** Dimensions for reference, not for construction.  
 Dimensions are in inches (mm).

2  
NEMA and HP  
Rated Control