

Master Switches, Accessories, Replacement Parts, Class 53



Class 53 Master Switch

Class 53

Class 53, Furnas Brand Master Switches are used to provide single handle pilot control of hoists, cranes, oven pushers, car movers and other equipment requiring speed steps of wound rotor or direct current motors.

Master Switches are available in NEMA 1 general purpose enclosures and NEMA 3 weather resistant enclosures which satisfy NEMA 12 industrial use application.

A special duplex control accessory is available to provide single handle control of two master controls to provide diagonal motion.

They satisfy applications requiring a definite sequence of opening and closing multiple pilot contacts.

Furnas Brand Class 53 Master Switch Standard Features include:

- Double Break Contacts
- Compact Design
- Momentary or Maintained Contacts
- UL Listed File #E22655
- CSA Certified File #LR6535

Maintained Contacts—Class 53

Speeds	Contacts NO (Poles)	Contacts Closed Forward	Contacts Closed Reverse	NEMA 1 Enclosure	
				Catalog No	Price \$
1	2	1	1	C2542	701.
2	3	2	2	C2374	732.
3	4	3	3	C3331	755.
4	5	4	4	C3330	786.
5	6	5	5	C1950	809.

Momentary Contacts—Class 53

Speeds	Contacts NO (Poles)	Contacts Closed Forward	Contacts Closed Reverse	NEMA 1 Enclosure	
				Catalog No	Price \$
1	2	1	1	C2123	763.
2	3	2	2	C2268	794.
3	4	3	3	C2060	817.
4	5	4	4	C4130	847.
5	6	5	5	C1188	871.

Accessories—Class 53

Description	Price \$
NO and NC Contact Operated by Handle Button Add suffix B to the Catalog Number	282.
Duplex Control L3652XB Requires 2 master switches	876.

Replacement Part—Class 53

Description	Catalog No	Price \$
Contact Board Contacts Included	L14112	54.Ⓞ

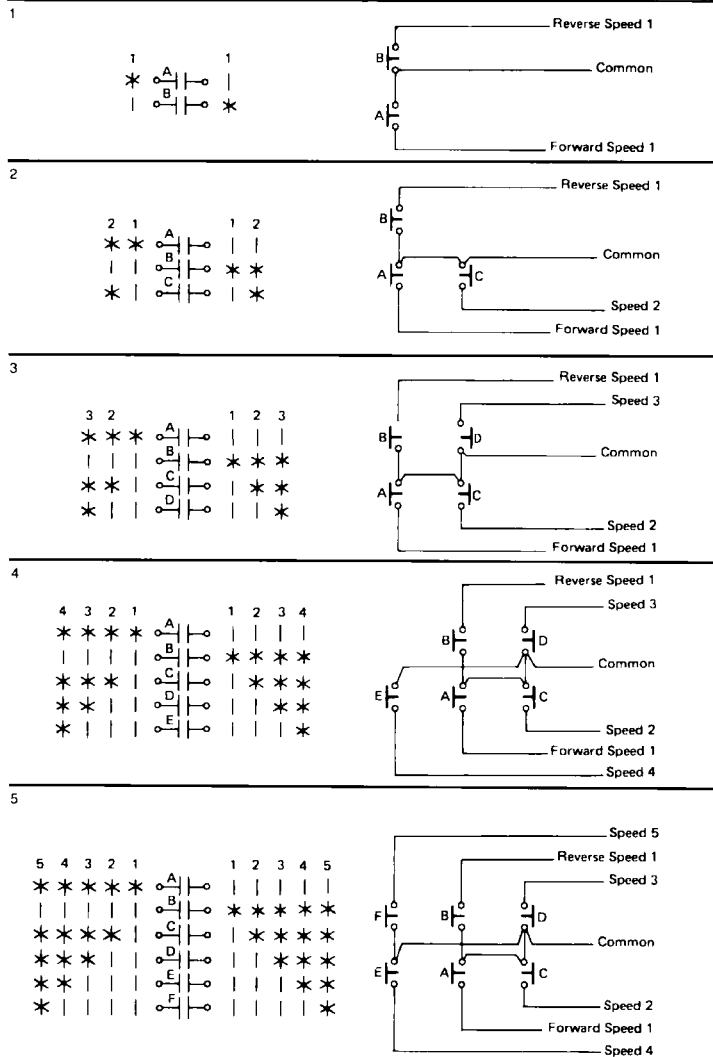
ⓄDiscount Code: Replacement Parts.

2
NEMA and HP
Rated Control

Contact Arrangement

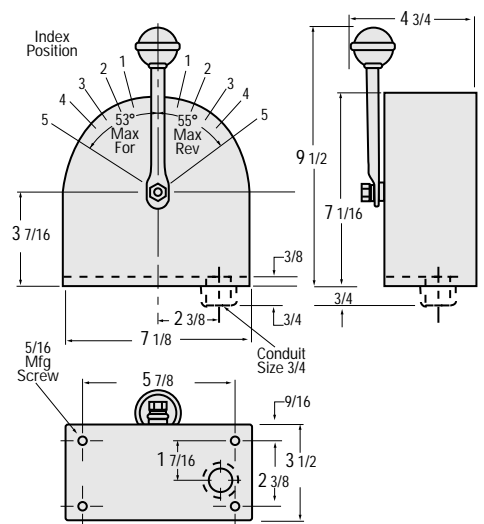
CONTACT ARRANGEMENT
X Indicates contacts closed

SPEEDS FORWARD OFF REVERSE



Note: Dimensions for reference, not for construction.
Dimensions are in inches (mm).

Dimensions (Inches)



Electrical Ratings

NEMA A600 10 Continuous Amps (AC)		
Volts	Make	Break
120	60	6.0
240	30	3.0
480	15	1.5
600	12	1.2
VA	7200	720.0

NEMA P600 5 Continuous Amps (DC)		
Volts	Make	Break
125	1.10	1.10
250	0.55	0.55
301-600	0.20	0.20
VA (300 Volts or less)	138.00	138.00